

Digital temperature transmitter, model T16

EN

Digitaler Temperaturtransmitter, Typ T16

DE



Head mounting version, model T16.H



Rail mounting version, model T16.R

EN	Operating instructions model T16	Page	3 - 32
DE	Betriebsanleitung Typ T16	Seite	33 - 61
Further languages can be found at www.wika.com.			

© 06/2017 WIKA Alexander Wiegand SE & Co. KG
All rights reserved. / Alle Rechte vorbehalten.
WIKA® is a registered trademark in various countries.
WIKA® ist eine geschützte Marke in verschiedenen Ländern.

Prior to starting any work, read the operating instructions!
Keep for later use!

Vor Beginn aller Arbeiten Betriebsanleitung lesen!
Zum späteren Gebrauch aufbewahren!

Contents

1. General information	5
2. Design and function	6
2.1 Description	6
2.2 Dimensions in mm [in]	6
2.3 Scope of delivery	7
3. Safety	8
3.1 Explanation of symbols	8
3.2 Intended use	8
3.3 Personnel qualification	9
3.4 Labelling, safety marks	10
3.5 Ex marking	11
4. Transport, packaging and storage	12
4.1 Transport	12
4.2 Packaging and storage	12
5. Commissioning, operation	13
5.1 Grounding	13
5.2 Mounting	15
5.3 Electrical connection	16
5.4 Configuration	19
6. Special conditions for safe use (X conditions)	21
6.1 General (all approvals)	21
6.2 Approval ATEX and IECEx	21
6.3 Approval FM	21
6.4 Approval CSA	22
7. Configuration software WIKAsoft-TT	24
7.1 Starting the software	24
7.2 Configuration procedure	25
7.3 Fault diagnosis	25
7.4 Measured values	25
7.5 Configuring several instruments identically	25
8. Faults	26
9. Maintenance	28
10. Return and disposal	28
10.1 Return	28
10.2 Disposal	28

11. Specifications	29
11.1 Safety-related characteristic values for models T16.x-AI, T16.x-AC.	30
11.2 Safety-related characteristic values for model T16.x-AE	31
11.3 Versioning per NAMUR NE53	32
12. Accessories	32
Annex 1: Control drawing CSA/FM	62
Annex 2: EU declaration of conformity	66

Declarations of conformity can be found online at www.wika.com.

EN

1. General information

- The instrument described in the operating instructions has been designed and manufactured using state-of-the-art technology. All components are subject to stringent quality and environmental criteria during production. Our management systems are certified in accordance with ISO 9001 and ISO 14001.
- These operating instructions contain important information on handling the instrument. Working safely requires that all safety instructions and work instructions are observed.
- Observe the relevant local accident prevention regulations and general safety regulations for the instrument's range of use.
- The operating instructions are part of the product and must be kept in the immediate vicinity of the instrument and readily accessible to skilled personnel at any time. Pass the operating instructions on to the next operator or owner of the instrument.
- Skilled personnel must have carefully read and understood the operating instructions prior to beginning any work.
- In case of a different interpretation of the translated and the English operating instructions, the English wording shall prevail.
- If available, the provided supplier documentation is also considered to be part of the product in addition to these operating instructions.
- The general terms and conditions contained in the sales documentation shall apply.
- Subject to technical modifications.
- Further information:
 - Internet address: www.wika.de / www.wika.com
 - Relevant data sheet: TE 16.01
 - Contact: Tel.: +49 9372 132-0
info@wika.de

2. Design and function

2.1 Description

The model T16 temperature transmitter is used for converting a thermoelectric voltage into a proportional current signal (4 ... 20 mA). Thus the sensors are permanently monitored for their fault-free operation.

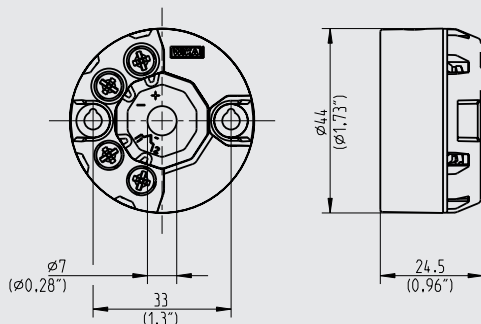
EN

The temperature transmitter meets the requirements for:

- Explosion protection (depending on the version)
- Electromagnetic compatibility in accordance with NAMUR recommendation NE21
- Signalling at the analogue output in accordance with NAMUR recommendation NE43
- Sensor break signalling in accordance with NAMUR recommendation NE89 (corrosion monitoring sensor connection)

2.2 Dimensions in mm [in]

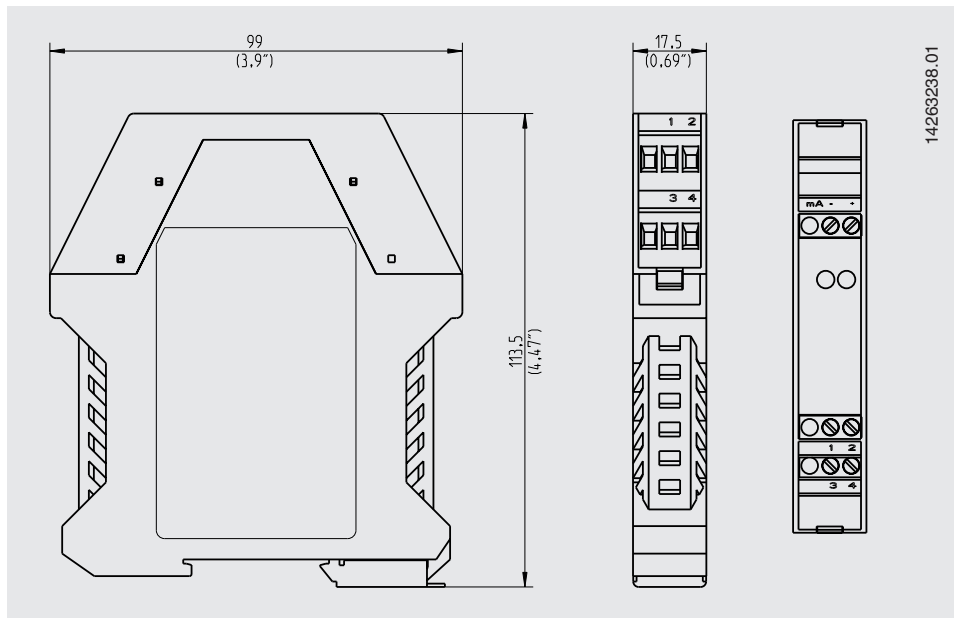
- Head mounting version, model T16.H



14263309.01

2. Design and function

■ Rail mounting version, model T16.R



2.3 Scope of delivery

Cross-check scope of delivery with delivery note.

3. Safety

3.1 Explanation of symbols

EN



WARNING!

... indicates a potentially dangerous situation that can result in serious injury or death, if not avoided.



CAUTION!

... indicates a potentially dangerous situation that can result in light injuries or damage to property or the environment, if not avoided.



DANGER!

... identifies hazards caused by electrical power. Should the safety instructions not be observed, there is a risk of serious or fatal injury.



DANGER!

... indicates a potentially dangerous situation in the hazardous area that can result in serious injury or death, if not avoided.



Information

... points out useful tips, recommendations and information for efficient and trouble-free operation.

3.2 Intended use

The model T16 temperature transmitter is a universal transmitter, configurable via a PC, for use with thermocouples.

The instrument has been designed and built solely for the intended use described here, and may only be used accordingly.

The technical specifications contained in these operating instructions must be observed. Improper handling or operation of the instrument outside of its technical specifications requires the instrument to be taken out of service immediately and inspected by an authorised WIKA service engineer.

The manufacturer shall not be liable for claims of any type based on operation contrary to the intended use.

3.3 Personnel qualification



WARNING!

Risk of injury should qualification be insufficient

Improper handling can result in considerable injury and damage to equipment.

- ▶ The activities described in these operating instructions may only be carried out by skilled electrical personnel who have the qualifications described below.

Skilled electrical personnel

Skilled electrical personnel are understood to be personnel who, based on their technical training, know-how and experience as well as their knowledge of country-specific regulations, current standards and directives, are capable of carrying out work on electrical systems and independently recognising and avoiding potential hazards. The skilled electrical personnel have been specifically trained for the work environment they are working in and know the relevant standards and regulations. The skilled electrical personnel must comply with current legal accident prevention regulations.

Special knowledge for working with instruments for hazardous areas:

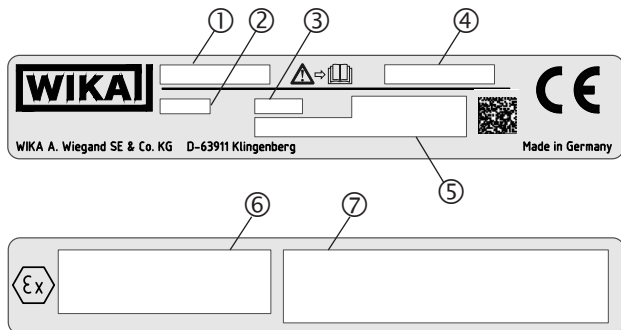
The skilled electrical personnel must have knowledge of ignition protection types, regulations and provisions for equipment in hazardous areas.

Special operating conditions require further appropriate knowledge, e.g. of aggressive media.

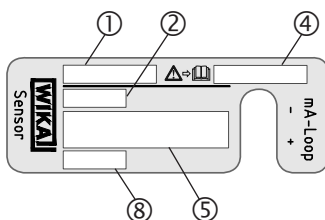
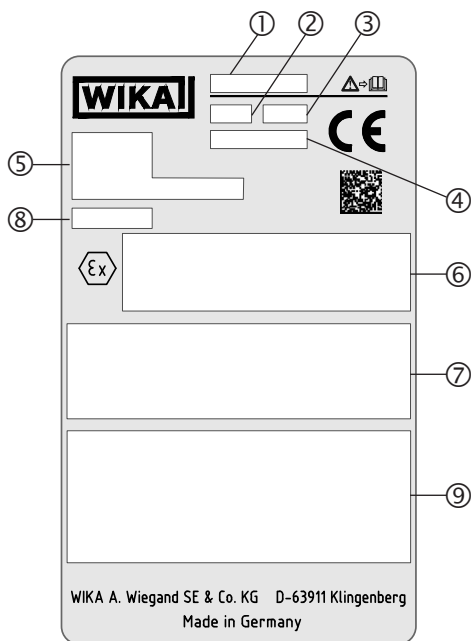
3. Safety

3.4 Labelling, safety marks

■ Head mounting version, model T16.H



■ Rail mounting version, model T16.R



- ① Model
- ② Firmware
- ③ Date of manufacture (YYYY-MM)
- ④ Serial number
- ⑤ Sensor information (model, connection method, power supply, measuring range)
- ⑥ ATEX-related data
- ⑦ Further approval-related data
- ⑧ TAG no.
- ⑨ Pin assignment



Before mounting and commissioning the instrument, ensure you read the operating instructions!

3.5 Ex marking



DANGER!

Danger to life due to loss of explosion protection

Non-observance of these instructions and their contents may result in the loss of explosion protection.

- ▶ Observe the safety instructions and further explosion instructions in these operating instructions.
- ▶ Follow the requirements of the ATEX directive.
- ▶ Observe the information given in the applicable type examination certificate and the relevant country-specific regulations for installation and use in hazardous areas (e.g. IEC 60079-14, NEC, CEC).

EN

Check whether the classification is suitable for the application. Observe the relevant national regulations.

Model overview of European approvals

Model	Ex marking		Ignition protection type
	BVS 19 ATEX E 020 X IECEX BVS 19.0022X		
T16.H-AI (Head mounting version)	II 1G II 1D	Ex ia IIC T6 ... T4 Ga Ex ia IIIC T135 °C Da	Intrinsically safe equipment
T16.R-AI (Rail mounting version)	II 2(1)G II 2(1)D	Ex ia [ia Ga] IIC T6 ... T4 Gb Ex ia [ia Da] IIIC T135 °C Db	Intrinsically safe equipment
T16.x-AC	II 3G	Ex ic IIC T6 ... T4 Gc X	Intrinsically safe equipment
T16.x-AE	II 3G	Ex ec IIC T6 ... T4 Gc	Non-incendive equipment

4. Transport, packaging and storage

4.1 Transport

Check the instrument for any damage that may have been caused by transport. Obvious damage must be reported immediately.

EN



CAUTION!

Damage through improper transport

With improper transport, damage to property can occur.

- ▶ Do not use transmitters with any damage to the exterior!

If the instrument is transported from a cold into a warm environment, the formation of condensation may result in instrument malfunction. Before putting it back into operation, wait for the instrument temperature and the room temperature to equalise.

4.2 Packaging and storage

Do not remove packaging until just before mounting.

Permissible conditions at the place of storage:

- Storage temperature: -40 ... +85 °C [-40 ... +185 °F]
- Humidity: 95 % relative humidity (condensation permitted)

Avoid exposure to the following factors:

- Direct sunlight or proximity to hot objects
- Mechanical vibration, mechanical shock (putting it down hard)
- Soot, vapour, dust and corrosive gases

5. Commissioning, operation

5. Commissioning, operation

Personnel: Skilled electrical personnel

Tools: Screwdriver (see chapter 5.3 “Electrical connection”)



DANGER!

Danger to life from explosion!

Through working in flammable atmospheres, there is a risk of explosion which can cause death.

- ▶ Only carry out set-up work in non-hazardous environments!
- ▶ In hazardous areas, only use temperature transmitters that are approved for those hazardous areas. Observe the approvals on the product label.

EN

5.1 Grounding



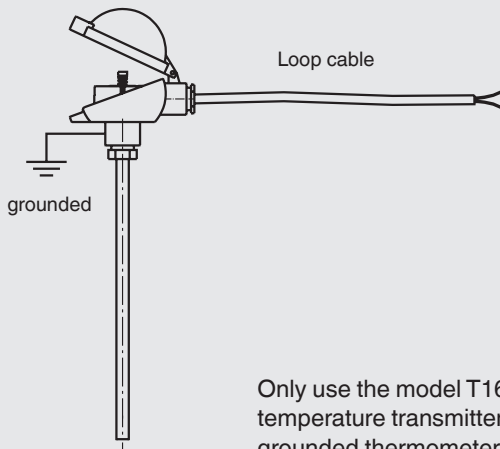
WARNING!

Prevention of electrostatic discharge

When working during a running process operation, measures to prevent electrostatic discharge from the connection terminals should be taken, as a discharge could lead to temporary corruption of the measured value.

- ▶ Only use model T16.H temperature transmitters in grounded thermometer heads!
- ▶ Connection of a thermocouple (e.g. type K) to the T16.R with a shielded cable. The shield must be electrically connected to the case of the grounded thermometer.

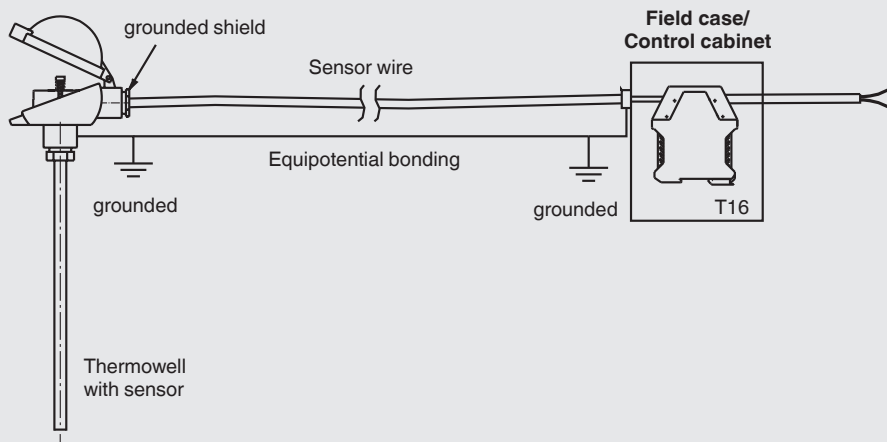
Connection head BSZ



Only use the model T16 temperature transmitter in grounded thermometers!

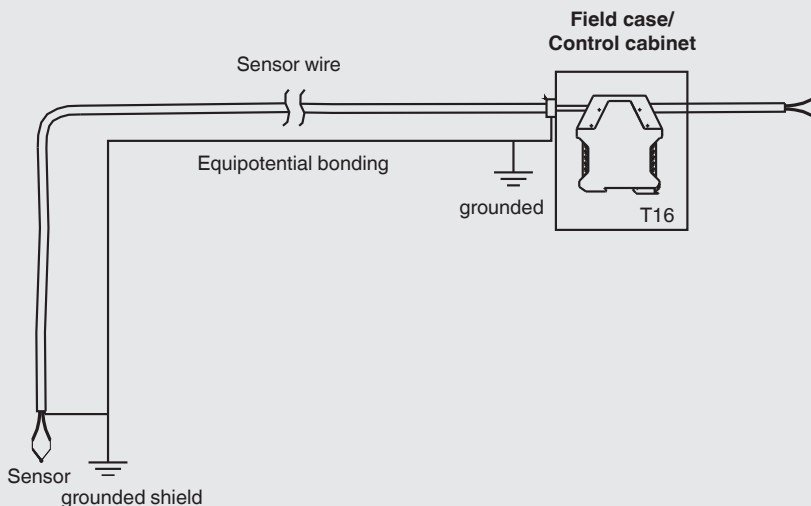
5. Commissioning, operation

Connection head BSZ



In applications with higher EMC requirements, using a shielded cable between the transmitter and the sensor is recommended, especially in connection with long leads to the sensor. For an exemplary illustration, see drawing.

With the rail mounting version (T16.R) and cable lengths greater than 3 m [9.8 ft], shielded cable must be used.



5.2 Mounting

5.2.1 Transmitter in head mounting version (model T16.H)

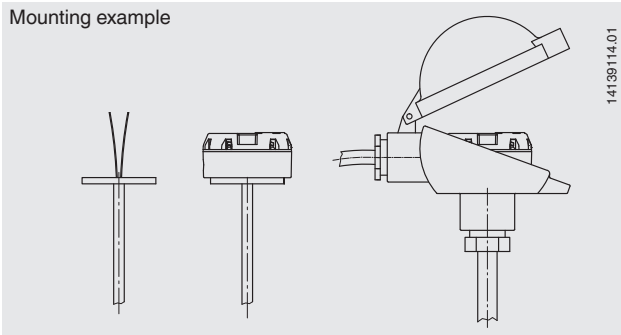


When fitting the head-mounted version of the transmitter, do not exceed a torque of 1 Nm!

EN

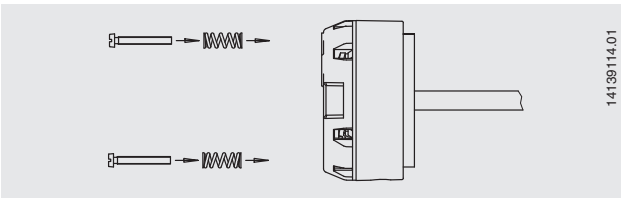
The transmitters for head mounting version are designed to be mounted on a measuring insert within a form B, DIN connection head. The connection wires of the measuring insert must be approx. 50 mm [1.97 in] long and insulated.

Mounting example



Mounting in connection head

Insert the measuring insert with the mounted transmitter into the protective components and secure into the connection head using screws in pressure springs.



Mounting in the connection head cover

When mounting in the cover of a connection head, use suitable screws and matching washers.

Installing with DIN rail adapter

With the mechanical adapter, available as an accessory, the T16.H head-mounted transmitters can also be fixed on a DIN rail (see chapter 12 “Accessories”).

5. Commissioning, operation

5.2.2 Transmitter in rail mounting version (model T16.R)

The rail mounting case will fasten onto a 35 mm DIN rail (EN 60175) by simply locking it into place without the need for any tools.

Disassembly involves unlocking the detent element.

EN

5.3 Electrical connection



DANGER!

Danger to life caused by electric current

Upon contact with live parts, there is a direct danger to life.

- ▶ The instrument may only be installed and mounted by skilled personnel.
- ▶ Operation using a defective power supply unit (e.g. short circuit from the mains voltage to the output voltage) can result in life-threatening voltages at the instrument!
- ▶ Carry out mounting work only with power disconnected.
- ▶ The connected wires must be checked to ensure they are connected properly. Only well-secured wires can guarantee a fault-free operation.
- ▶ The installer must use wire type that has a temperature rating \geq the specified ambient temperature rating.

This is protection class 3 equipment for connection at low voltages, which are separated from the power supply or voltages of greater than AC 50 V or DC 120 V. Preferably, a connection to an SELV circuit is recommended; alternatively protective measures from HD 60346-4-41 (DIN VDE 0100-410).

Alternatively for North America

The connection can be made in line with “Class 2 Circuits” or “Class 2 Power Units” in accordance with CEC (Canadian Electrical Code) or NEC (National Electrical Code).

The functional galvanic isolation present in the instrument does not ensure sufficient protection against electrical impulses in the sense of EN 61140.

Maximum use altitude: 5,000 m above sea level

Recommended tool for screw terminals

Model	Screwdriver	Tightening torque
T16.H	Cross head (Pozidriv tip), size 2 (ISO 8764)	0.5 Nm
T16.R	Slotted, 3 x 0.5 mm (ISO 2380)	0.5 Nm

5. Commissioning, operation

5.3.1 Power supply, 4 ... 20 mA current loop

The model T16 is a 2-wire, powered temperature transmitter. Depending on the version, it can be supplied with various types of power supply.

With flexible leads we recommend the use of crimped connector sleeves.

The integrated reverse polarity protection (wrong polarity on the terminals \oplus and \ominus) prevents the transmitter from being damaged.

EN

Maximum values

- Model T16.x-ZZ: DC 35 V
- Model T16.x-AI: DC 30 V
- Model T16.x-AC: DC 30 V
- Model T16.x-AE: DC 35 V

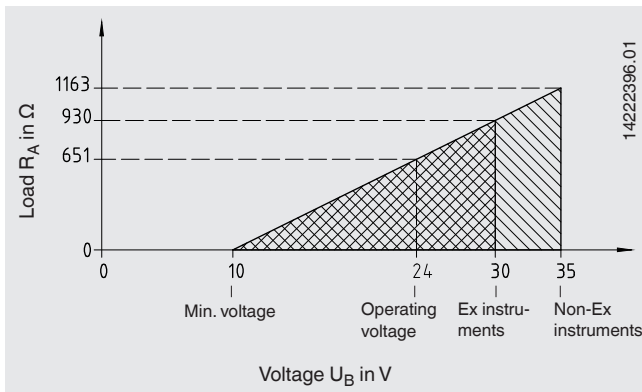
Minimum terminal voltage

DC 10 V

The load must not be too high, as otherwise, in the case of relatively high currents, the terminal voltage at the transmitter will be too low.

Maximum permissible load depending on the supply voltage

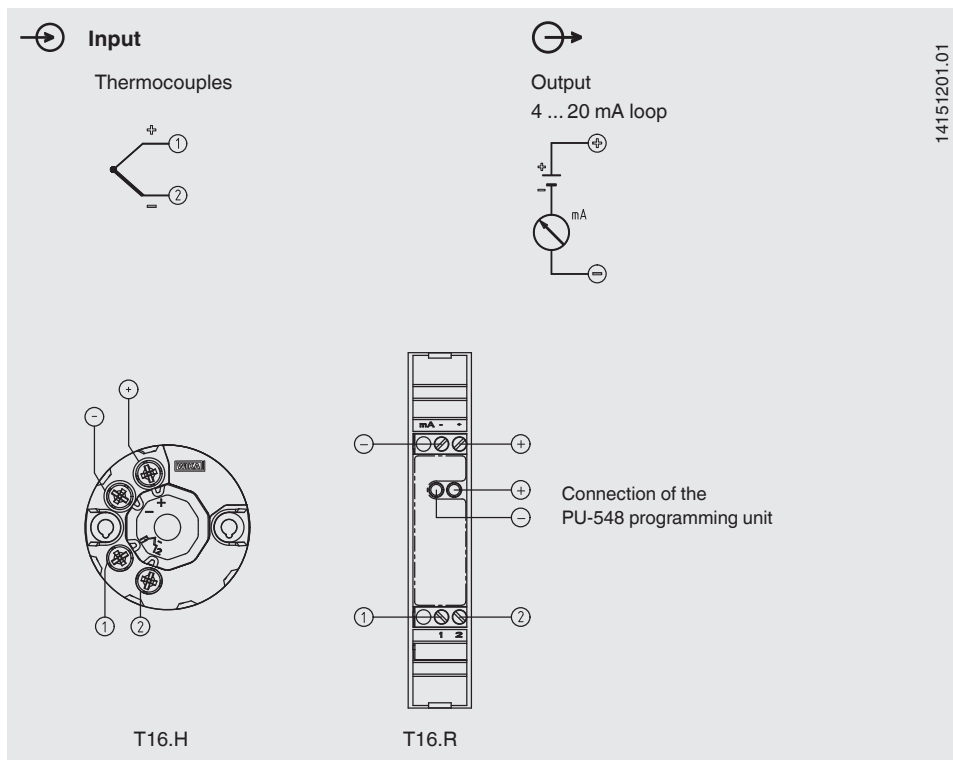
Load diagram



5.3.2 Sensors

Designation of connection terminals

EN



Thermocouples (TC)

It is possible to connect a thermocouple in a 2-wire connection.
The T16 transmitter always uses the internal cold junction.



For the safety-relevant maximum values for the connection of the voltage supply and the sensors, see chapter 11 "Specifications".

5.4 Configuration

Configurable are

- Sensor type
- Measuring range
- Unit
- Signalling
- Measuring range monitoring
- Damping
- Write protection
- “Several” TAG numbers
- 2-point scaling

The temperature transmitters are delivered with a basic configuration (see data sheet TE 16.01) or configured according to customer specifications. If the configuration is changed afterwards, the modifications must be noted on the product label using a water-resistant fibre-tip pen.



A simulation of the input value is not required to configure the T16. A sensor simulation is only required for the functional test.

5.4.1 Configurable monitoring functionality

Measuring range monitoring:

If this function is activated, an error is signalled on the current loop if the measured value is either below or over the limits of the measuring range.

5.4.2 Configuration via the PC

Configuration is carried out using a USB interface with a PC via the model PU-548 programming unit (see chapter 12 “Accessories”) and the WIKAsoft-TT configuration software.



The required Windows device driver for the PU-548 is a component of the current Windows® operating system.

Windows® is a registered trademark of Microsoft Corporation in the United States and other countries.

5. Commissioning, operation

5.4.3 Programming unit model PU-548

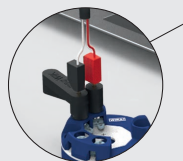
- Easy to use
- LED status indicator
- Compact design
- No further voltage supply is needed for either the programming unit or for the transmitter
- No driver installation needed (Windows® standard drivers are used)



(replaces programming unit model PU-448)

Connection of the PU-548

Head mounting version,
model T16.H



Rail mounting version, model T16.R



5.4.4 Configuration software WIKAsoft-TT

The WIKAsoft-TT configuration software is regularly updated and adapted to the firmware extensions of the T16. Thus, full access to all functionalities and parameters of the transmitter is permanently ensured (see chapter 7 “Configuration software WIKAsoft-TT”).



Free download of the current version of the WIKAsoft-TT software at www.wika.com.

6. Special conditions for safe use (X conditions)

6.1 General (all approvals)

The influence of power dissipation of other devices placed beside the transmitter has to be taken into account with regard to a temperature rise of the transmitter's ambient temperature.

Transmitters with "ia" marking may also be used in supply circuits of type "ib" with the same connection parameters. Thus the entire measuring circuit (including the sensor circuit) is an "ib" circuit. Transmitters were operated with supply circuits of type "ib" may not be re-used with supply circuits of type "ia".

6.2 Approval ATEX and IECEx

6.2.1 Models T16.x-AC, T16.x-AI

- The transmitter shall be mounted in an enclosure in accordance with IEC 60079-11 suitable for the relevant installation area. The enclosure has to fulfil at least IP20 for areas requiring EPL Ga, Gb or Gc and IP54 in accordance with IEC 60079-0 for areas requiring EPL Db or Dc.
- During the installation internal wiring, clearances, creepage distances and separations have to be considered according to IEC 60079-11.

6.2.2 Model T16.x-AE

- The transmitter shall be mounted in an enclosure fulfilling at least IP54 in accordance with IEC 60079-0 and IEC 60079-7.
- During the installation clearances, creepage distances and separations have to be considered according to IEC 60079-7.
- The equipment shall only be used in an area of at least pollution degree 2, as defined in IEC 60664-1.
- Maximum overvoltage category II according to IEC 60664-1 is permitted for the circuits.

6.3 Approval FM

For installation in Division 2, the transmitter shall be mounted in a final enclosure meeting the requirements of ANSI/UL 121201.

6.3.1 Models T16.x-AC, T16.x-AI

- The transmitters shall be mounted in an enclosure in accordance with ANSI/ISA 60079-11 suitable for the relevant installation area. The enclosure has to fulfil at least IP20.
- During the installation internal wiring, clearances, creepage distances and separations have to be considered according to ANSI/ISA 60079-11.

6. Special conditions for safe use (X conditions)

6.3.2 Model T16.x-AE

- The transmitters shall be mounted in an enclosure fulfilling at least IP54 in accordance with ANSI/ISA 60079-0 and ANSI/ISA 60079-7.
- During the installation clearances, creepage distances and separations have to be considered according to ANSI/ISA 60079-7.
- The equipment shall only be used in an area of at least pollution degree 2, as defined in ANSI/ISA 61010-1 resp. IEC 60664-1.
- Maximum overvoltage category II in accordance with ANSI/ISA 61010-1 resp. IEC 60664-1 is permitted for the circuits.

6.4 Approval CSA

6.4.1 Models T16.x-AIx

- These models are designated for installation inside a suitable enclosure providing degree of protection at least IP20 for EPL Ga or Gb application.
- The enclosure may be located in EPL Ga area (zone 0), EPL Gb area (zone 1), or optionally in the safe area.
- The influence of power dissipation of other devices placed beside the transmitter has to be taken into account with regard to temperature rise of the transmitter's ambient temperature.
- During the installation internal wiring, clearances, creepage distances and separations have to be considered according to CAN/CSA C22.2 No. 60079-11.

6.4.2 Models T16.x-ACx

- These models are designated for installation inside a suitable enclosure providing degree of protection at least IP20 for EPL Gc application.
- The enclosure may be located in EPL Gc area (zone 2), or optionally in the safe area.
- The influence of power dissipation of other devices placed beside the transmitter has to be taken into account with regard to temperature rise of the transmitter's ambient temperature.
- During the installation internal wiring, clearances, creepage distances and separations have to be considered according to CAN/CSA C22.2 No. 60079-11.

6. Special conditions for safe use (X conditions)

6.4.3 Models T16.x-AEx

- The power supplied to the transmitter must be from a limited-energy electrical circuit in accordance with CAN/CSA C22.2 No. 61010-1, or LPS according to CAN/CSA C22.2 No. 60950-1, and Class 2 as defined in the Canadian Electrical Code C22.1, section 16-200.
- This is OPEN type equipment that must be installed within a suitable end-use enclosure that requires a tool to access, and is appropriately certified (e.g. Ex ec, Ex nA, or equivalent protection for EPL “Gc”), providing a minimum ingress protection level of IP54. The suitability of the enclosure is subject to investigation by the local Authority Having Jurisdiction at the time of installation.
- Wiring to or from this equipment, which enters or leaves the system enclosure, must utilize wiring methods suitable for class I, division 2 and/or class I, zone 2 hazardous locations, as appropriate for the installation.
- The influence of power dissipation of other devices placed beside the transmitter has to be taken into account with regard to temperature rise of the transmitter’s ambient temperature.
- The equipment shall only be used in an area of at least pollution degree 2, with maximum overvoltage category II as defined in IEC 60664-1.

EN

7. Configuration software WIKAsoft-TT

7. Configuration software WIKAsoft-TT

For installation please follow the instructions of the installation routine.

EN

7.1 Starting the software

Start the configuration software by double-clicking on the WIKAsoft TT icon.

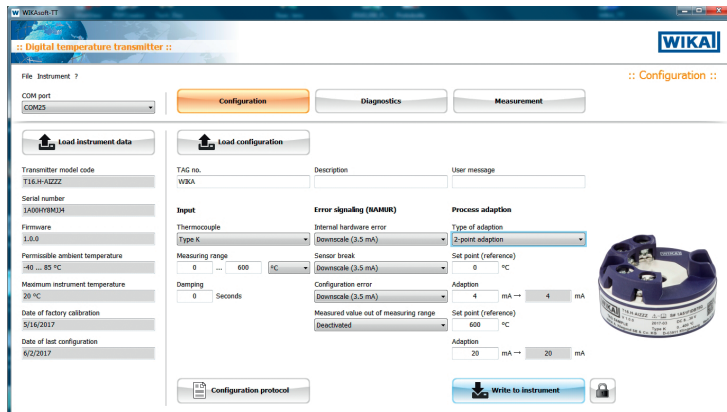
After starting the software, the language can be changed by selecting the flag of the country in question.

The selection of the COM port is made automatically.

After the connection of a transmitter (using the PU-548), on pressing the “Start” button, the configuration interface is loaded.



The configuration interface can only be loaded when an instrument is connected.



7.2 Configuration procedure

Steps 1 and 2 are carried out automatically when starting the software

1. "Loading instrument data"
2. "Loading configuration"
3. [optional] Cancel write protection ("key" symbol at the bottom right)
4. Change the required parameters
→ Sensor/Measuring range/Error signalling etc.
5. "Save to the instrument"
6. [optional] Activate write protection
7. [optional] Print configuration history
8. [optional] Test: "Loading configuration" → Check configuration

7.3 Fault diagnosis

Here, in the event of an "error detected by the transmitter", the error message is displayed.

Examples: Sensor break, permitted highest temperature exceeded, etc.

In normal operation, "No fault - No maintenance requirement" is displayed here.

7.4 Measured values

Line recorder - Here the measured value progression is represented in the format of a chart recorder with a constant sampling rate in a defined time interval (180 seconds) and a variable temperature axis.

The display purely serves as a functional check and for information.

An export of the data is not possible.

7.5 Configuring several instruments identically

- First instrument
 1. "Loading configuration"
 2. [optional] Cancel write protection ("key" symbol at the bottom right)
 3. Change the required parameters
 4. "Save to the instrument"
 5. [optional] Activate write protection
- All following instruments
 1. "Loading instrument data"
 2. [optional] Cancel write protection
 3. [optional] Change the required parameters, e.g. TAG number
 4. "Save to the instrument"
 5. [optional] Activate write protection



For further information see chapter 1 "General information" "Contact data" or the back page of these operating instructions

8. Faults

EN



DANGER!

Danger to life from explosion

Through working in flammable atmospheres, there is a risk of explosion which can cause death.

- ▶ Only rectify faults in non-flammable atmospheres!



CAUTION!

Physical injuries and damage to property and the environment

If faults cannot be eliminated by means of the listed measures, the instrument must be taken out of operation immediately.

- ▶ Ensure that there is no longer any signal present and protect against being put into operation accidentally.
- ▶ Contact the manufacturer.
- ▶ If a return is needed, please follow the instructions given in chapter 10.1 “Return” and enclose a short description of the problem, details of ambient conditions as well as the time of use before the problem occurred with the temperature transmitter.

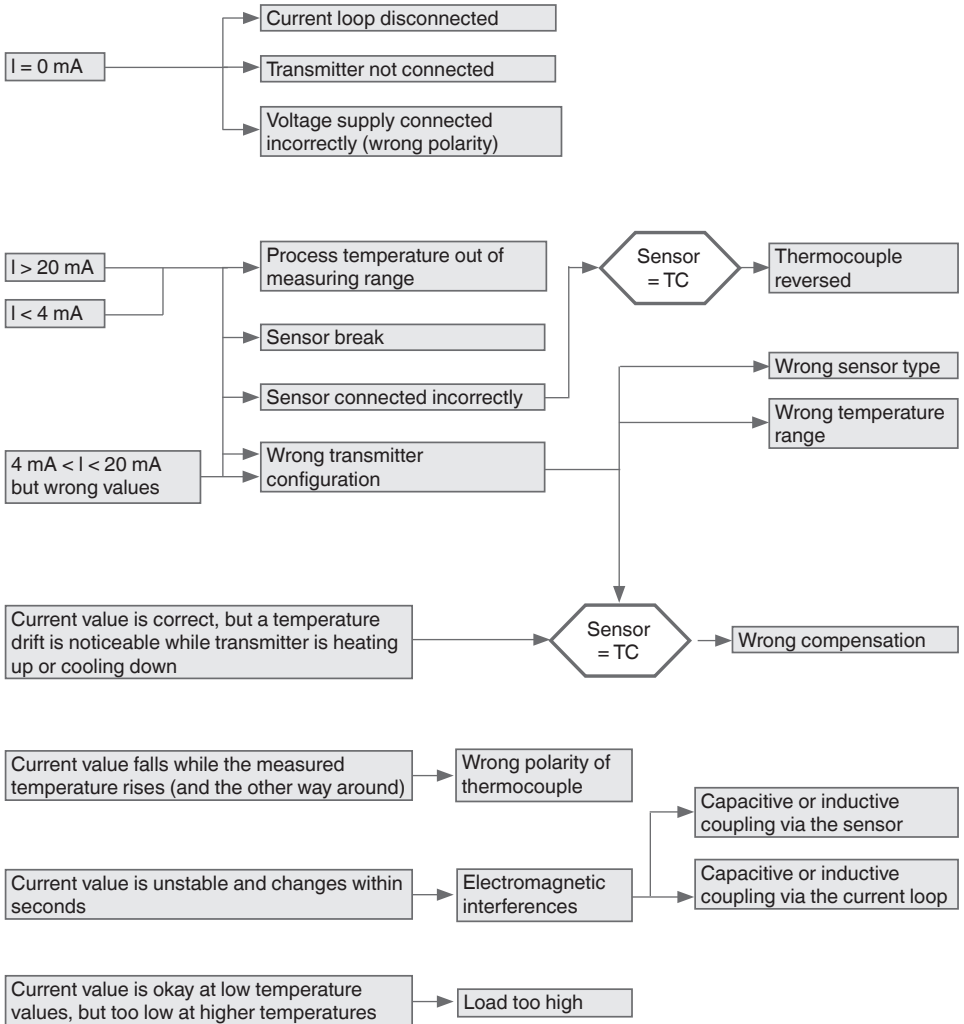


For contact details see chapter 1 “General information” or the back page of the operating instructions.

8. Faults

EN

Fault tree



9. Maintenance



For contact details see chapter 1 “General information” or the back page of the operating instructions.

EN

The temperature transmitter described in these operating instructions is maintenance-free. The electronics are completely encapsulated and incorporate no components which could be repaired or replaced.

Repairs must only be carried out by the manufacturer.
Only use original parts.

10. Return and disposal

10.1 Return

Strictly observe the following when shipping the instrument:

All instruments delivered to WIKA must be free from any kind of hazardous substances (acids, bases, solutions, etc.) and must therefore be cleaned before being returned.

When returning the instrument, use the original packaging or a suitable transport packaging.

To avoid damage:

1. Place the instrument, along with shock-absorbent material, in the packaging.
Place shock-absorbent material evenly on all sides of the transport packaging.
2. If possible, place a bag containing a desiccant inside the packaging.
3. Label the shipment as carriage of a highly sensitive measuring instrument.



Information on returns can be found under the heading “Service” on our local website.

10.2 Disposal

Incorrect disposal can put the environment at risk.

Dispose of instrument components and packaging materials in an environmentally compatible way and in accordance with the country-specific waste disposal regulations.



Do not dispose of with household waste. Ensure a proper disposal in accordance with national regulations.

11. Specifications

11. Specifications



DANGER!

Danger to life due to loss of explosion protection

The non-observance of the instructions for use in hazardous areas can lead to the loss of the explosion protection.

- ▶ Adhere to the following limit values and instructions.

EN

Specifications	Model T16
Permissible ambient temperature range	{-50} -40 ... +85 {+105} °C [{-58} -40 ... +185 {+221} °F]
Climate class per IEC 654-1:1993	Cx (-40 ... +85 °C / -40 ... +185 °F, 5 ... 95 % r. h.)
Maximum permissible humidity <ul style="list-style-type: none">■ Model T16.H per IEC 60068-2-38:2009■ Model T16.R per IEC 60068-2-30:2005	Test max. temperature variation 65 °C [149 °F] / -10 °C [14 °F], 93 % ±3 % r. h. Test max. temperature 55 °C [131 °F], 95 % r. h.
Vibration resistance per IEC 60068-2-6:2008	Test Fc: 10 ... 2,000 Hz; 10 g, amplitude 0.75 mm [0.03 in]
Shock resistance per IEC 68-2-27:2009	Acceleration / Shock width Model T16.H: 100g / 6 ms Model T16.R: 30g / 11 ms
Salt fog per IEC 68-2-52:1996, IEC 60068-2-52:1996	Severity level 1
Condensation	Model T16.H: Acceptable Model T16.R: Acceptable in vertical mounting position
Free fall in line with IEC 60721-3-2:1997, DIN EN 60721-3-2:1998	Drop height 1.5 m [4.9 ft]
Electromagnetic compatibility (EMC) per DIN EN 55011:2010, DIN EN 61326, NAMUR NE21:2012, GL 2012 VI Part 7	EN 61326 emission (group 1, class B) and interference immunity (industrial application) [HF field, HF cable, ESD, Burst, Surge]

{ } Items in curved brackets are options for an additional price, not for ATEX versions of the head mounting version and not for T16.R rail mounting version.

11. Specifications

11.1 Safety-related characteristic values for models T16.x-AI, T16.x-AC

Intrinsically safe connection values for the current loop (4 ... 20 mA)

Protection level Ex ia IIC/IIB/IIA, Ex ia IIIC or Ex ic IIC/IIB/IIA

EN

Parameters	Models T16.x-AI, T16.x-AC	Models T16.x-AI
	Gas hazardous application	Dust hazardous application
Terminals	+ / -	+ / -
Voltage U_i	DC 30 V	DC 30 V
Current I_i	130 mA	130 mA
Power P_i	800 mW	750/650/550 mW
Effective internal capacitance C_i	7.8 nF	7.8 nF
Effective internal inductance L_i	20 μ H	20 μ H

Sensor circuit

Parameters	Models T16.x-AI		Model T16.x-AC
	Ex ia IIC/IIB/IIA	Ex ia IIIC	Ex ic IIC/IIB/IIA
Terminals	1 - 2		1 - 2
Voltage U_o	DC 6.6 V		DC 6.6 V
Current I_o	4 mA		4 mA
Power P_o	10 mW		10 mW
Max. external capacitance C_o	IIC	21 μ F ¹⁾	280 μ F ¹⁾
	IIB IIIC	495 μ F ¹⁾	995 μ F ¹⁾
	IIA	995 μ F ¹⁾	995 μ F ¹⁾
Max. external inductance L_o	IIC	95 mH	95 mH
	IIB IIIC	95 mH	95 mH
	IIA	95 mH	95 mH
Characteristics	Linear		

Comments:

U_o : Maximum voltage of any conductor against the other three conductors

I_o : Maximum output current for the least favourable connection of the internal current limiting resistors

P_o : $U_o \times I_o$ divided by 4 (linear characteristic)

1) Internal L and C have already been considered

Due to distance requirements of the applied standards, the IS power and signal circuit as well as the IS sensor circuit shall be considered as being galvanically connected to each other.

The electrical parameters of the head and rail mounting versions are identical.

11. Specifications

EN

Models T16.x-AI

The intrinsically safe sensor circuit (optional 2-wire, 3-wire or 4-wire configuration) for both versions is intended for the supply of equipment in areas with 1G or 1D requirements. The version T16.H-AI has been designed for installation in cases or connection heads in areas with 1G, 2G or 1D, 2D requirements.

The version T16.R-AI is intended for installation in a case which guarantees at least IP20 ingress protection (2G application or installation outside the hazardous area) or IP6X (2D application).

Ambient temperature range

Application	Ambient temperature range	Temperature class	Power P_i
Group II	$-40\text{ °C } [-40\text{ °F}] \leq T_a \leq +85\text{ °C } [+185\text{ °F}]$	T4	800 mW
	$-40\text{ °C } [-40\text{ °F}] \leq T_a \leq +70\text{ °C } [+158\text{ °F}]$	T5	800 mW
	$-40\text{ °C } [-40\text{ °F}] \leq T_a \leq +55\text{ °C } [+131\text{ °F}]$	T6	800 mW
Group IIIC	$-40\text{ °C } [-40\text{ °F}] \leq T_a \leq +40\text{ °C } [+104\text{ °F}]$	N / A	750 mW
	$-40\text{ °C } [-40\text{ °F}] \leq T_a \leq +70\text{ °C } [+158\text{ °F}]$	N / A	650 mW
	$-40\text{ °C } [-40\text{ °F}] \leq T_a \leq +85\text{ °C } [+185\text{ °F}]$	N / A	550 mW

N / A = not applicable

11.2 Safety-related characteristic values for model T16.x-AE

Power and signal circuit (4 ... 20 mA loop)

Protection level Ex ec IIC/IIB/IIA

Parameters	Model T16.x-AE
	Gas hazardous application
Terminals	+ / -
Voltage U_i	DC 35 V
Current I_i	21.5 mA

Sensor circuit

Protection level Ex ec IIC/IIB/IIA

Parameters	Models T16.x-AE
Terminals	1 - 2
Power P_o	2.575 V x 0.1 mA → 0.256 mW DC 2.575 V 0.1 mA

14147933.07.02/2024 EN/DE

11. Specifications / 12. Accessories

Ambient temperature range

Application	Ambient temperature range	Temperature class
Group II	$-40\text{ °C } [-40\text{ °F}] \leq T_a \leq +85\text{ °C } [+185\text{ °F}]$	T4
	$-40\text{ °C } [-40\text{ °F}] \leq T_a \leq +70\text{ °C } [+158\text{ °F}]$	T5
	$-40\text{ °C } [-40\text{ °F}] \leq T_a \leq +55\text{ °C } [+131\text{ °F}]$	T6





N / A = not applicable

11.3 Versioning per NAMUR NE53

Firmware version	Comments	WIKAsoft-TT	Modem
V 1.0.0	First "Launch" version of the T16	v 1.5	PU-448 (S. no. >10000) or PU-548

For further specifications see WIKA data sheet TE 16.01 and the order documentation.

12. Accessories

Model	Special features	Order no.
Programming unit Model PU-548 	<ul style="list-style-type: none"> ■ Simple operation ■ LED status display ■ Compact design ■ No further voltage supply is needed for either the programming unit or for the transmitter ■ No driver installation needed (Windows® standard drivers are used) ■ 2 mm banana plug ■ Incl. 1 model magWIK magnetic quick connector (replaces programming unit model PU-448)	14231581
Magnetic quick connector magWIK 	<ul style="list-style-type: none"> ■ Replacement for fine alligator clips and HART® terminals ■ Fast, safe and tight electrical connection ■ For all configuration and calibration processes ■ 2 mm socket ■ Incl. 2 adapters (2 mm to 4 mm socket) 	14026893
Adapter 	<ul style="list-style-type: none"> ■ Suitable for TS 35 per DIN EN 60715 (DIN EN 50022) or TS 32 per DIN EN 50035 ■ Material: Plastic / stainless steel ■ Dimensions: 60 x 20 x 41.6 mm [2.3 x 0.7 x 1.6 in] 	3593789
Adapter 	<ul style="list-style-type: none"> ■ Suitable for TS 35 per DIN EN 60715 (DIN EN 50022) ■ Material: Steel, tin-plated ■ Dimensions: 49 x 8 x 14 mm [1.9 x 0.3 x 0.5 in] 	3619851

14147933.07 02/2024 EN/DE

Inhalt

1. Allgemeines	35
2. Aufbau und Funktion	36
2.1 Beschreibung	36
2.2 Abmessungen in mm [in]	36
2.3 Lieferumfang	37
3. Sicherheit	38
3.1 Symbolerklärung	38
3.2 Bestimmungsgemäße Verwendung	38
3.3 Personalqualifikation	39
3.4 Beschilderung, Sicherheitskennzeichnungen	40
3.5 Ex-Kennzeichnung	41
4. Transport, Verpackung und Lagerung	42
4.1 Transport	42
4.2 Verpackung und Lagerung	42
5. Inbetriebnahme, Betrieb	43
5.1 Erdung	43
5.2 Montage	45
5.3 Elektrischer Anschluss	46
5.4 Konfiguration	49
6. Besondere Bedingungen für die sichere Anwendung (X-Conditions)	51
6.1 Allgemein (alle Zulassungen)	51
6.2 Zulassung ATEX und IECEx	51
6.3 Zulassung FM	51
6.4 Zulassung CSA	52
7. Konfigurationssoftware WIKAsoft-TT	53
7.1 Starten der Software	53
7.2 Ablauf Konfiguration	54
7.3 Fehlerdiagnose	54
7.4 Messwerte	54
7.5 Mehrere Geräte identisch konfigurieren	55
8. Störungen	55
9. Wartung	57
10. Rücksendung und Entsorgung	57
10.1 Rücksendung	57
10.2 Entsorgung	57

11. Technische Daten	58
11.1 Sicherheitstechnische Kennwerte Typen T16.x-AI, T16.x-AC	59
11.2 Sicherheitstechnische Kennwerte Typ T16.x-AE	60
11.3 Versionierung nach NAMUR NE53	61
12. Zubehör	61
Annex 1: Control drawing CSA/FM	62
Annex 2: EU declaration of conformity	66

Konformitätserklärungen finden Sie online unter www.wika.de.

1. Allgemeines

- Das in der Betriebsanleitung beschriebene Gerät wird nach dem aktuellen Stand der Technik konstruiert und gefertigt. Alle Bauteile unterliegen während der Herstellung strengen Qualitäts- und Umweltkriterien. Unsere Managementsysteme sind nach ISO 9001 und ISO 14001 zertifiziert.
- Diese Betriebsanleitung gibt wichtige Hinweise zum Umgang mit dem Gerät. Voraussetzung für sicheres Arbeiten ist die Einhaltung aller angegebenen Sicherheitshinweise und Handlungsanweisungen.
- Die für den Einsatzbereich des Geräts geltenden örtlichen Unfallverhütungsvorschriften und allgemeinen Sicherheitsbestimmungen einhalten.
- Die Betriebsanleitung ist Produktbestandteil und muss in unmittelbarer Nähe des Geräts für das Fachpersonal jederzeit zugänglich aufbewahrt werden. Betriebsanleitung an nachfolgende Bediener oder Besitzer des Geräts weitergeben.
- Das Fachpersonal muss die Betriebsanleitung vor Beginn aller Arbeiten sorgfältig durchgelesen und verstanden haben.
- Bei unterschiedlicher Auslegung der übersetzten und der englischen Betriebsanleitung ist der englische Wortlaut maßgebend.
- In diesem Dokument wird zur besseren Lesbarkeit das generische Maskulinum verwendet. Weibliche und anderweitige Geschlechteridentitäten werden dabei ausdrücklich eingeschlossen.
- Falls vorhanden, gilt neben dieser Betriebsanleitung auch die mitgelieferte Zuliefererdokumentation als Produktbestandteil.
- Es gelten die allgemeinen Geschäftsbedingungen in den Verkaufsunterlagen.
- Technische Änderungen vorbehalten.
- Weitere Informationen:
 - Internet-Adresse: www.wika.de / www.wika.com
 - zugehöriges Datenblatt: TE 16.01
 - Kontakt: Tel.: +49 9372 132-0
info@wika.de

2. Aufbau und Funktion

2.1 Beschreibung

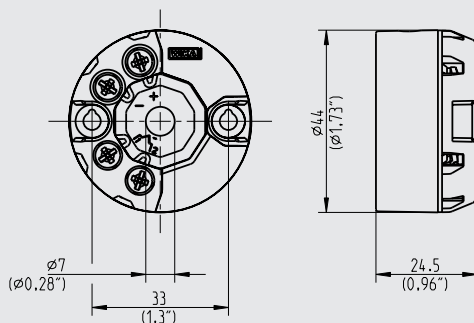
Der Temperaturtransmitter Typ T16 dient zur Umwandlung einer Thermospannung in ein proportionales Stromsignal (4 ... 20 mA). Dabei werden die Sensoren permanent auf ihre einwandfreie Funktion überwacht.

DE Der Temperaturtransmitter erfüllt die Anforderungen an:

- Explosionsschutz (je nach Version)
- Elektromagnetische Verträglichkeit nach NAMUR-Empfehlung NE21
- Die Signalisierung am Analogausgang gemäß NAMUR-Empfehlung NE43
- Eine Fühlerbruchsignalisierung gemäß NAMUR-Empfehlung NE89 (Korrosionsüberwachung Sensoranschluss)

2.2 Abmessungen in mm [in]

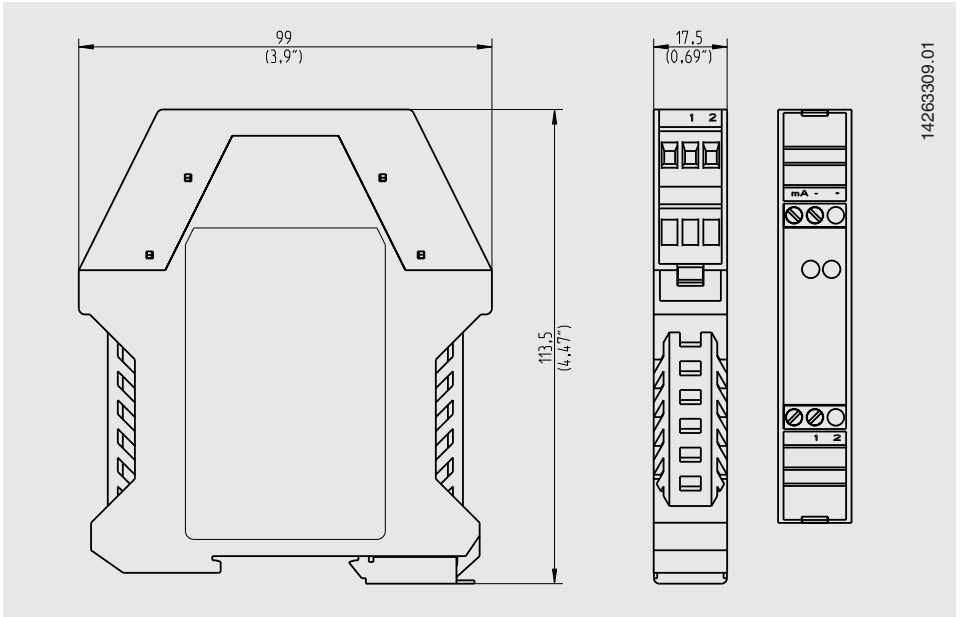
- Kopfversion, Typ T16.H



14263309.01

2. Aufbau und Funktion

■ Schienenversion, Typ T16.R



DE

2.3 Lieferumfang

Lieferumfang mit dem Lieferschein abgleichen.

3. Sicherheit

3.1 Symbolerklärung

**WARNUNG!**

... weist auf eine möglicherweise gefährliche Situation hin, die zum Tod oder zu schweren Verletzungen führen kann, wenn sie nicht gemieden wird.

**VORSICHT!**

... weist auf eine möglicherweise gefährliche Situation hin, die zu geringfügigen oder leichten Verletzungen bzw. Sach- und Umweltschäden führen kann, wenn sie nicht gemieden wird.

**GEFAHR!**

... kennzeichnet Gefährdungen durch elektrischen Strom. Bei Nichtbeachtung der Sicherheitshinweise besteht die Gefahr schwerer oder tödlicher Verletzungen.

**GEFAHR!**

... weist auf eine möglicherweise gefährliche Situation im explosionsgefährdeten Bereich hin, die zum Tod oder zu schweren Verletzungen führen kann, wenn sie nicht gemieden wird.

**Information**

... hebt nützliche Tipps und Empfehlungen sowie Informationen für einen effizienten und störungsfreien Betrieb hervor.

3.2 Bestimmungsgemäße Verwendung

Der Temperaturtransmitter Typ T16 ist ein universeller, via PC konfigurierbarer Transmitter für Thermoelemente.

Das Gerät ist ausschließlich für den hier beschriebenen bestimmungsgemäßen Verwendungszweck konzipiert und konstruiert und darf nur dementsprechend verwendet werden.

Die technischen Spezifikationen in dieser Betriebsanleitung sind einzuhalten. Eine unsachgemäße Handhabung oder ein Betreiben des Gerätes außerhalb der technischen Spezifikationen macht die sofortige Stilllegung und Überprüfung durch einen autorisierten WIKA-Servicemitarbeiter erforderlich.

Ansprüche jeglicher Art aufgrund von nicht bestimmungsgemäßer Verwendung sind ausgeschlossen.

3.3 Personalqualifikation



WARNUNG!

Verletzungsgefahr bei unzureichender Qualifikation

Unsachgemäßer Umgang kann zu erheblichen Personen- und Sachschäden führen.

- ▶ Die in dieser Betriebsanleitung beschriebenen Tätigkeiten nur durch Elektrofachpersonal nachfolgend beschriebener Qualifikation durchführen lassen.

DE

Elektrofachpersonal

Das Elektrofachpersonal ist aufgrund seiner fachlichen Ausbildung, Kenntnisse und Erfahrungen sowie Kenntnis der landesspezifischen Vorschriften, geltenden Normen und Richtlinien in der Lage, Arbeiten an elektrischen Anlagen auszuführen und mögliche Gefahren selbstständig zu erkennen und zu vermeiden. Das Elektrofachpersonal ist speziell für das Arbeitsumfeld, in dem es tätig ist, ausgebildet und kennt die relevanten Normen und Bestimmungen. Das Elektrofachpersonal muss die Bestimmungen der geltenden gesetzlichen Vorschriften zur Unfallverhütung erfüllen.

Besondere Kenntnisse bei Arbeiten mit Geräten für explosionsgefährdete Bereiche:

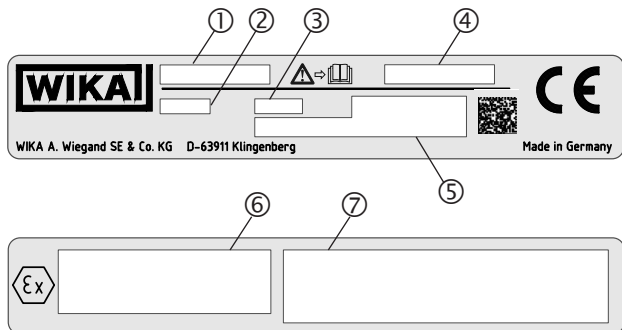
Das Elektrofachpersonal muss Kenntnisse haben über Zündschutzarten, Vorschriften und Verordnungen für Betriebsmittel in explosionsgefährdeten Bereichen.

Spezielle Einsatzbedingungen verlangen weiteres entsprechendes Wissen, z. B. über aggressive Medien.

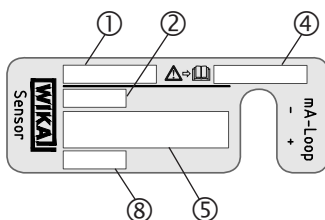
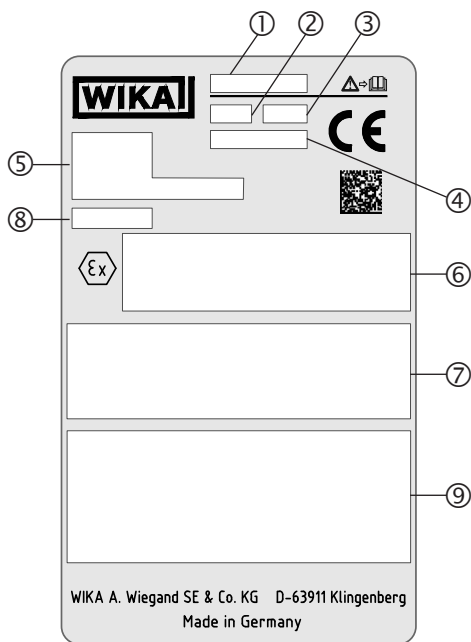
3. Sicherheit

3.4 Beschilderung, Sicherheitskennzeichnungen

■ Kopfversion, Typ T16.H



■ Schienenversion, Typ T16.R



- ① Typ
- ② Firmware
- ③ Herstellungsdatum (YYYY-MM)
- ④ Seriennummer
- ⑤ Sensorangaben (Typ, Schaltungsart, Hilfsenergie, Messbereich)
- ⑥ ATEX-relevante Daten
- ⑦ Weitere zulassungsrelevante Daten
- ⑧ TAG-Nr.
- ⑨ Anschlussbelegung



Vor Montage und Inbetriebnahme des Gerätes unbedingt die Betriebsanleitung lesen!

3.5 Ex-Kennzeichnung



GEFAHR!

Lebensgefahr durch Verlust des Explosionsschutzes

Die Nichtbeachtung dieser Inhalte und Anweisungen kann zum Verlust des Explosionsschutzes führen.

- ▶ Sicherheitshinweise sowie Explosionshinweise in dieser Betriebsanleitung beachten.
- ▶ Die Anforderungen der ATEX-Richtlinie beachten.
- ▶ Die Angaben der geltenden Baumusterprüfbescheinigung sowie die jeweiligen landesspezifischen Vorschriften zur Installation und Einsatz in explosionsgefährdeten Bereichen (z. B. IEC 60079-14, NEC, CEC) einhalten.

DE

Überprüfen, ob die Klassifizierung für den Einsatzfall geeignet ist. Die jeweiligen nationalen Vorschriften und Bestimmungen beachten.

Typenübersicht der europäischen Zulassungen

Typ	Ex-Kennzeichnung		Zündschutzart
	BVS 19 ATEX E 020 X IECEX BVS 19.0022X		
T16.H-AI (Kopfversion)	II 1G II 1D	Ex ia IIC T6 ... T4 Ga Ex ia IIIC T135 °C Da	Eigensicheres Betriebsmittel
T16.R-AI (Schienenversion)	II 2(1)G II 2(1)D	Ex ia [ia Ga] IIC T6 ... T4 Gb Ex ia [ia Da] IIIC T135 °C Db	Eigensicheres Betriebsmittel
T16.x-AC	II 3G	Ex ic IIC T6 ... T4 Gc X	Eigensicheres Betriebsmittel
T16.x-AE	II 3G	Ex ec IIC T6 ... T4 Gc	Nicht-funkende Einrichtung

4. Transport, Verpackung und Lagerung

4.1 Transport

Gerät auf eventuell vorhandene Transportschäden untersuchen.

Offensichtliche Schäden unverzüglich mitteilen.

DE



VORSICHT!

Beschädigungen durch unsachgemäßen Transport

Bei unsachgemäßem Transport können Sachschäden entstehen.

- ▶ Äußerlich beschädigte Transmitter nicht verwenden!

Wird das Gerät von einer kalten in eine warme Umgebung transportiert, so kann durch Kondensatbildung eine Störung der Gerätefunktion eintreten. Vor einer erneuten Inbetriebnahme die Angleichung der Gerätetemperatur an die Raumtemperatur abwarten.

4.2 Verpackung und Lagerung

Verpackung erst unmittelbar vor der Montage entfernen.

Zulässige Bedingungen am Lagerort:

- Lagertemperatur: -40 ... +85 °C [-40 ... +185 °F]
- Feuchtigkeit: 95 % relative Feuchte (Btauung zulässig)

Folgende Einflüsse vermeiden:

- Direktes Sonnenlicht oder Nähe zu heißen Gegenständen
- Mechanische Vibration, mechanischer Schock (hartes Aufstellen)
- Ruß, Dampf, Staub und korrosive Gase

5. Inbetriebnahme, Betrieb

Personal: Elektrofachpersonal

Werkzeuge: Schraubendreher (siehe Kapitel 5.3 „Elektrischer Anschluss“)



GEFAHR!

Lebensgefahr durch Explosion!

Durch Arbeiten in entzündlichen Atmosphären besteht Explosionsgefahr, die zum Tod führen kann.

- ▶ Rüstarbeiten nur in nicht-explosionsgefährdeter Umgebung durchführen!
- ▶ Im explosionsgefährdeten Bereich nur Temperaturtransmitter einsetzen, die für diesen explosionsgefährdeten Bereich zugelassen sind. Zulassungen auf dem Typenschild beachten.

DE

5.1 Erdung



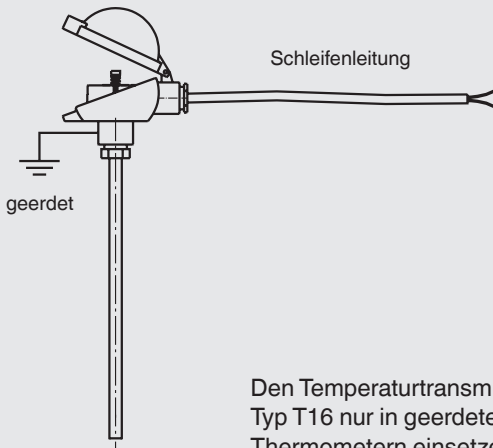
WARNUNG!

Vermeidung elektrostatischer Entladung

Bei Arbeiten während eines laufenden Prozessbetriebes Maßnahmen zur Vermeidung elektrostatischer Entladung auf die Anschlussklemmen treffen, da Entladungen zu vorübergehenden Verfälschungen des Messwertes führen können.

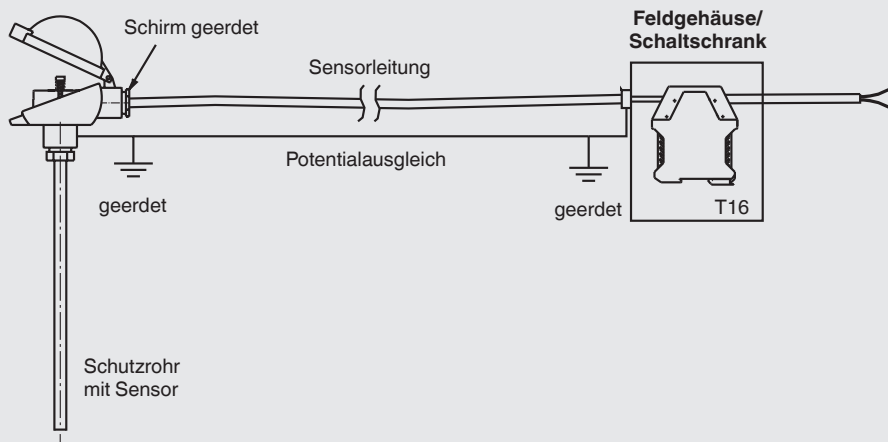
- ▶ Den Temperaturtransmitter Typ T16.H nur in geerdeten Thermometer-Köpfen einsetzen!
- ▶ Anschluss eines Thermoelements (z. B. Typ K) an den T16.R mit einem geschirmten Kabel. Der Schirm muss elektrisch leitend mit dem Gehäuse des geerdeten Thermometers verbunden werden.

Anschlusskopf BSZ



Den Temperaturtransmitter
Typ T16 nur in geerdeten
Thermometern einsetzen!

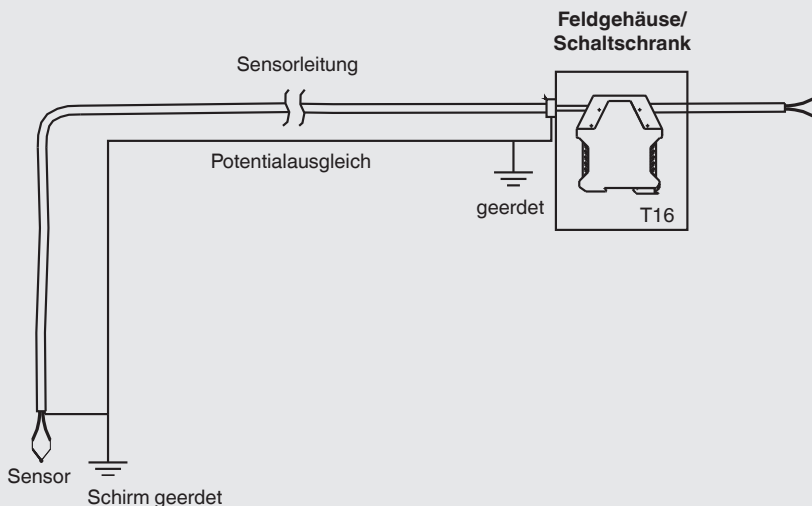
Anschlusskopf BSZ



DE

In Applikationen mit erhöhten EMV-Anforderungen empfiehlt sich, v. a. in Verbindung mit langen Zuleitungen zum Sensor, der Einsatz einer geschirmten Leitung zwischen Transmitter und Sensor. Beispielhafte Darstellung siehe Zeichnung.

Bei der Schienenversion (T16.R) und Zuleitungslängen größer 3 m [9,8 ft] ist eine geschirmte Leitung zwingend erforderlich.



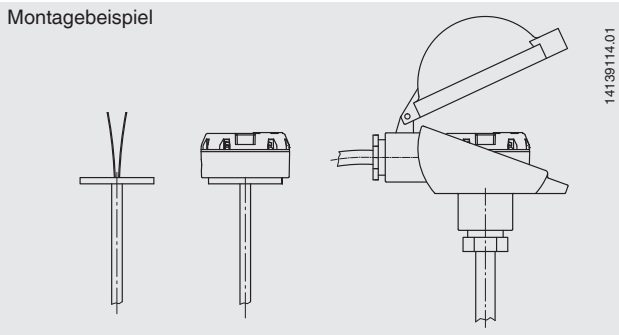
5.2 Montage

5.2.1 Transmitter in Kopfversion (Typ T16.H)



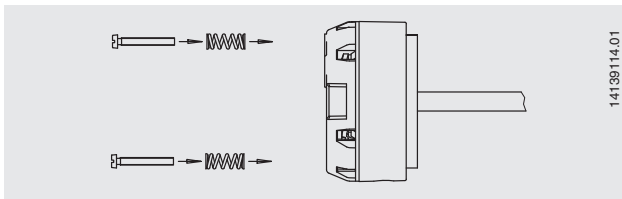
Bei der Montage des Transmitters in Kopfversion ein Drehmoment von 1 Nm nicht überschreiten!

Die Transmitter in Ausführung Kopfversion sind vorgesehen zur Montage auf einem Messeinsatz im DIN-Anschlusskopf der Form B. Die Anschlussdrhte des Messeinsatzes mssen ca. 50 mm [1,97 in] lang und isoliert ausgefhrt sein.



Montage im Anschlusskopf

Messeinsatz mit montiertem Transmitter in die Schutzarmatur einstecken und im Anschlusskopf mit Schrauben federnd befestigen.



Montage im Anschlusskopfdeckel

Bei der Montage im Deckel eines Anschlusskopfes entsprechende Schrauben und passende Unterlegscheiben verwenden.

Montage mit Hutschienenadapter

Mit dem als Zubehor erhaltlichen mechanischen Adapter konnen auch die Kopftransmitter T16.H auf einer Hutschiene befestigt werden (siehe Kapitel 12 „Zubehor“).

5. Inbetriebnahme, Betrieb

5.2.2 Transmitter in Schienenversion (Typ T16.R)

Das Schienengehäuse wird ohne Hilfsmittel durch einfaches „Aufrasten“ auf eine 35 mm Hutschiene (EN 60175) befestigt.

Die Demontage erfolgt durch das Entriegeln des Rastelementes.

5.3 Elektrischer Anschluss

DE



GEFAHR!

Lebensgefahr durch elektrischen Strom

Bei Berührung mit spannungsführenden Teilen besteht unmittelbare Lebensgefahr.

- ▶ Einbau und Montage des Gerätes dürfen nur durch Fachpersonal erfolgen.
- ▶ Bei Betrieb mit einem defekten Netzgerät (z. B. Kurzschluss von Netzspannung zur Ausgangsspannung) können am Gerät lebensgefährliche Spannungen auftreten!
- ▶ Montagen im spannungslosen Zustand durchführen.
- ▶ Die angeschlossenen Drähte auf festen Sitz kontrollieren. Nur fest angeschlossene Leitungen gewährleisten eine volle Funktionalität.
- ▶ Der Installateur muss einen Drahttyp verwenden, der eine Temperaturbeständigkeit \geq der angegebenen Umgebungstemperaturangabe hat.

Dies ist ein Betriebsmittel der Schutzklasse 3 zum Anschluss an Kleinspannungen, die von der Netzspannung oder Spannung größer AC 50 V bzw. DC 120 V getrennt sind. Zu bevorzugen ist ein Anschluss an einen SELV-Stromkreis; alternativ ist eine Schutzmaßnahme aus HD 60346-4-41 (DIN VDE 0100-410) zu empfehlen.

Alternativ für Nordamerika

Der Anschluss kann auch an „Class 2 Circuits“ oder „Class 2 Power Units“ gemäß CEC (Canadian Electrical Code) oder NEC (National Electrical Code) erfolgen.

Die im Gerät vorhandene funktionale galvanische Trennung ist nicht geeignet einen Schutz gegen elektrischen Schlag im Sinne der EN 61140 sicherzustellen.

Maximale Verwendungshöhe: 5.000 m über dem Meeresspiegel

Empfohlenes Werkzeug für Schraubklemmen

Typ	Schraubendreher	Anzugsdrehmoment
T16.H	Kreuzschlitz (Poqidriv-Spitze), Größe 2 (ISO 8764)	0,5 Nm
T16.R	Schlitz, 3 x 0,5 mm (ISO 2380)	0,5 Nm

14147933.07 02/2024 EN/DE

5.3.1 Hilfsenergie, 4 ... 20 mA-Stromschleife

Der Typ T16 ist ein in 2-Leiter gespeister Temperaturtransmitter und kann je nach Ausführung, mit unterschiedlicher Hilfsenergie versorgt werden.

Empfohlen wird bei Litzenadern die Verwenden von Crimpkontakten.

Der integrierte Verpolungsschutz (verpolte Spannung an den Klemmen \oplus und \ominus) verhindert die Zerstörung des Transmitters.

DE

Maximale Werte

- Typ T16.x-ZZ: DC 35 V
- Typ T16.x-AI: DC 30 V
- Typ T16.x-AC: DC 30 V
- Typ T16.x-AE: DC 35 V

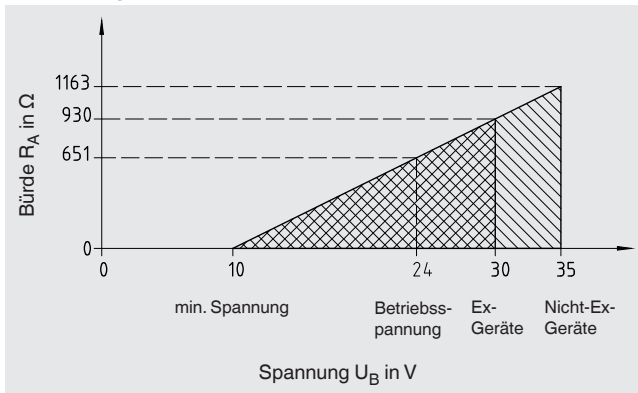
Minimale Klemmenspannung

DC 10 V

Die Bürde darf nicht zu groß sein, da sonst die Klemmenspannung am Transmitter bei höheren Strömen zu klein wird.

Maximal zulässige Bürde in Abhängigkeit der Speisespannung

Bürdendiagramm



5.3.2 Sensoren

Belegung der Anschlussklemmen



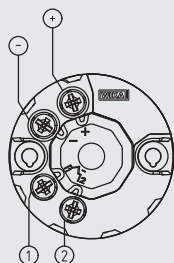
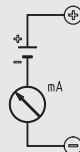
Eingang

Thermoelemente

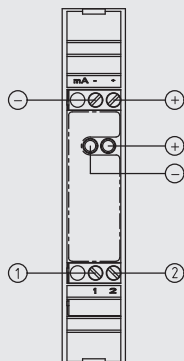


Ausgang

4 ... 20 mA-Schleife



T16.H



T16.R

Anschluss Programmierereinheit
PU-548

141151201.01

Thermoelemente (TC)

Möglich ist der Anschluss eines Thermoelementes in 2-Leiter-Anschlusschaltung. Der Transmitter T16 verwendet immer die interne Vergleichsstelle.



Sicherheitstechnische Maximalwerte für den Anschluss der Spannungsversorgung und der Sensoren siehe Kapitel 11 „Technische Daten“.

5.4 Konfiguration

Konfigurierbar sind

- Sensortyp
- Messbereich
- Einheit
- Signalisierung
- Messbereichsüberwachung
- Dämpfung
- Schreibschutz
- „Mehrere“ TAG-Nummern
- 2-Punkt-Skalierung

Ausgeliefert werden die Temperaturtransmitter mit einer Grundkonfiguration (siehe Datenblatt TE 16.01) oder konfiguriert nach Kundenvorgabe. Nachträgliche Änderungen der Konfiguration mit einem wasserfesten Faserschreiber auf dem Typenschild notieren.



Zur Konfiguration des T16 ist eine Simulation des Eingangswertes nicht erforderlich. Lediglich zur Funktionsüberprüfung ist eine Simulation des Sensors notwendig.

5.4.1 Konfigurierbare Überwachungsfunktionen

Messbereichsüberwachung:

Ist diese aktiviert, erfolgt im Falle einer Messbereichsüberschreitung/-unterschreitung eine Fehlersignalisierung auf der Stromschleife.

5.4.2 Konfigurieren mit dem PC

Das Konfigurieren erfolgt über die USB-Schnittstelle eines PC's via Programmierereinheit Typ PU-548 (siehe Kapitel 12 „Zubehör“) und der Konfigurationssoftware WIKAsoft-TT.



Der benötigte Windows-Gerätetreiber für die PU-548 ist Bestandteil jedes aktuellen Windows®-Betriebssystems.

Windows® ist eine eingetragene Marke der Microsoft Corporation in den Vereinigten Staaten und weiteren Ländern.

5.4.3 Programmierereinheit Typ PU-548

- Einfache Bedienung
- LED-Statusanzeige
- Kompakte Bauform
- Keine zusätzliche Spannungsversorgung notwendig, weder für die Programmierereinheit noch für den Transmitter
- Keine Treiberinstallation notwendig (Windows® Standardtreiber werden genutzt)



DE

(ersetzt Programmierereinheit Typ PU-448)

Anschluss der PU-548

Kopfversion, Typ T16.H



Schienversion, Typ T16.R



5.4.4 Konfigurationssoftware WIKAsoft-TT

Die Konfigurationssoftware WIKAsoft-TT wird ständig aktualisiert und den Firmware-Erweiterungen des T16 angepasst. Somit ist immer der volle Zugriff auf alle Funktionalitäten und Parameter des Transmitters gewährleistet (siehe Kapitel 7 „Konfigurationssoftware WIKAsoft-TT“).



Kostenfreier Download der aktuellen Version der WIKAsoft-TT Software unter www.wika.de.

6. Besondere Bedingungen für die sichere Anwendung (X-Conditions)

6.1 Allgemein (alle Zulassungen)

Der Einfluss der Verlustleistung anderer Geräte, welche neben dem Transmitter installiert werden, müssen im Hinblick auf eine Temperaturerhöhung der Umgebungstemperatur des Transmitters berücksichtigt werden.

Transmitter mit „ia“-Markierung können auch in Versorgungsstromkreisen des Typs „ib“ mit den gleichen Anschlussparametern verwendet werden. Somit ist der gesamte Messstromkreis (inklusive dem Sensorkreis) ein „ib“-Stromkreis. Transmitter, die in Versorgungsstromkreisen vom Typ „ib“ betrieben wurden, dürfen nicht in Versorgungsstromkreisen vom Typ „ia“ wiederverwendet werden.

6.2 Zulassung ATEX und IECEx

6.2.1 Typen T16.x-AC, T16.x-AI

- Der Transmitter muss in einem für den jeweiligen Installationsbereich geeigneten Gehäuse nach IEC 60079-11 eingebaut werden. Das Gehäuse muss mindestens IP20 erfüllen für Bereiche, die EPL Ga, Gb oder Gc erfordern und IP54 nach IEC 60079-0 für Bereiche, die EPL Ga, Gb oder Gc erfordern.
- Bei der Montage die innere Verdrahtung, Luft- und Kriechstrecken, sowie Trennabstände nach IEC 60079-11 berücksichtigen.

6.2.2 Typ T16.x-AE

- Der Transmitter muss in ein Gehäuse eingebaut werden, das mindestens IP54 nach IEC 60079-0 und IEC 60079-7 erfüllt.
- Bei der Montage Luft- und Kriechstrecken und Trennabstände nach IEC 60079-7 berücksichtigen.
- Wie in IEC 60664-1 festgelegt, darf das Gerät nur in einem Bereich mit mindestens Verschmutzungsgrad 2 eingesetzt werden.
- Die Stromkreise dürfen maximal die Überspannungskategorie II nach IEC 60664-1 besitzen.

6.3 Zulassung FM

Für den Einbau in Division 2 muss der Transmitter in einem Endgehäuse montiert werden, das die Anforderungen von ANSI/UL 121201 erfüllt.

6.3.1 Typen T16.x-AC, T16.x-AI

- Die Transmitter müssen in einem für den jeweiligen Installationsbereich geeigneten Gehäuse nach ANSI/ISA 60079-11 eingebaut werden. Das Gehäuse muss mindestens IP20 erfüllen.
- Bei der Montage die innere Verdrahtung, Luft- und Kriechstrecken, sowie Trennabstände nach ANSI/ISA 60079-11 berücksichtigen.

6.3.2 Typ T16.x-AE

- Die Transmitter müssen in ein Gehäuse eingebaut werden, das mindestens IP54 nach ANSI/ISA 60079-0 und IEC 60079-7 erfüllt.
- Bei der Montage Luft- und Kriechstrecken und Trennabstände nach ANSI/ISA 60079-7 berücksichtigen.
- Wie in ANSI/ISA 61010-1 bzw. IEC 60664-1 festgelegt, darf das Gerät nur in einem Bereich mit mindestens Verschmutzungsgrad 2 eingesetzt werden.
- Die Stromkreise dürfen maximal die Überspannungskategorie II nach ANSI/ISA 61010-1 bzw. IEC 60664-1 besitzen.

DE

6.4 Zulassung CSA

6.4.1 Typ T16.x-ALx

- Diese Typen wurden für den Einbau in ein geeignetes Gehäuse mit einem Schutzgrad von mindestens IP20 zur Verwendung in EPL Ga- oder Gb-Bereichen entworfen.
- Das Gehäuse kann in EPL Ga-Bereichen (Zone 0), EPL Gb-Bereichen (Zone 1) oder optional auch in nicht-explosionsgefährdeten Bereichen verwendet werden.
- Der Einfluss der Verlustleistung anderer Geräte, welche neben dem Transmitter installiert werden, muss im Hinblick auf eine Temperaturerhöhung der Umgebungstemperatur des Transmitters berücksichtigt werden.
- Bei der Montage die interne Verdrahtung, Luft- und Kriechstrecken sowie Trennabstände nach CAN/CSA C22.2 Nr. 60079-11 berücksichtigen.

6.4.2 Typ T16.x-ACx

- Diese Typen wurden für den Einbau in ein geeignetes Gehäuse mit einem Schutzgrad von mindestens IP20 zur Verwendung in EPL Gc-Bereichen entworfen.
- Das Gehäuse kann in EPL Gc-Bereichen (Zone 2) oder optional auch in nicht-explosionsgefährdeten Bereichen verwendet werden.
- Der Einfluss der Verlustleistung anderer Geräte, welche neben dem Transmitter installiert werden, muss im Hinblick auf eine Temperaturerhöhung der Umgebungstemperatur des Transmitters berücksichtigt werden.
- Bei der Montage die interne Verdrahtung, Luft- und Kriechstrecken sowie Trennabstände nach CAN/CSA C22.2 Nr. 60079-11 berücksichtigen.

6.4.3 Typ T16.x-AEx

- Die Versorgung des Messumformers muss durch einen energiebegrenzten Stromkreis gemäß CAN/CSA C22.2 Nr. 61010-1 oder LPS gemäß CAN/CSA C22.2 Nr. 60950-1 und Klasse 2, wie in der kanadischen Elektrovorschrift (CEC) C22.1, Absatz 16-200 festgelegt, erfolgen.
- Es handelt sich um Geräte mit OFFENER Bauart, die in ein geeignetes Endnutzungsgehäuse eingebaut werden müssen. Dieses Gehäuse darf nur mithilfe von Spezialwerkzeug zugänglich sein und muss eine entsprechende Zertifizierung (z. B. Ex ec, Ex nA oder ein gleichwertiges Schutzniveau für EPL "Gc") sowie mindestens die Schutzart IP54 besitzen. Die Eignung des Gehäuses bedarf der Überprüfung durch die örtliche Behörde, die zum Zeitpunkt des Einbaus zuständig ist.
- Für die Verdrahtung des Gerätes, bei der Drähte durch das Gehäuse laufen, müssen je nach Einbau Verdrahtungsarten verwendet werden, die für Klasse I, Division 2 und/oder Klasse I, explosionsgefährdete Bereiche der Zone 2 geeignet sind.
- Der Einfluss der Verlustleistung anderer Geräte, welche neben dem Transmitter installiert werden, muss im Hinblick auf eine Temperaturerhöhung der Umgebungstemperatur des Transmitters berücksichtigt werden.
- Wie in IEC 60664-1 festgelegt, darf das Gerät nur in Bereichen mit einem Verschmutzungsgrad von höchstens 2 und maximal der Überspannungskategorie II eingesetzt werden.

7. Konfigurationssoftware WIKAsoft-TT

Zur Installation den Anweisungen der Installationsroutine folgen.

7.1 Starten der Software

Die Konfigurationssoftware mit einem Doppelklick auf das WIKAsoft-TT Icon starten.

Nach dem Starten der Software kann die Sprache über Auswahl der entsprechenden Länderflagge geändert werden.

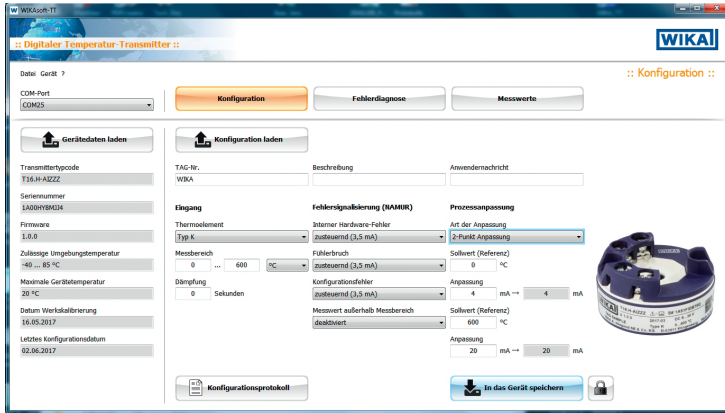
Die Auswahl des COM-Ports erfolgt automatisch.

Nach dem Anschluss eines Transmitters (mit PU-548) kann durch Aktivieren des Start-Buttons die Konfigurationsoberfläche geladen werden.



Die Konfigurationsoberfläche kann nur mit einem angeschlossenen Gerät geladen werden.

DE



7.2 Ablauf Konfiguration

Die Schritte 1 und 2 erfolgen beim Start der Software automatisch.

1. „Gerätedaten laden“
2. „Konfiguration laden“
3. [optional] Schreibschutz aufheben (Schlosssymbol unten rechts)
4. Ändern der gewünschten Parameter
→ Sensor/Messbereich/Fehlerrückmeldung etc.
5. „In das Gerät speichern“
6. [optional] Schreibschutz aktivieren
7. [optional] Konfigurationsprotokoll ausdrucken
8. [optional] Test: „Konfiguration laden“ → Konfiguration überprüfen

7.3 Fehlerdiagnose

Hier wird im Fall eines „vom Transmitter detektierten Fehlers“ die Fehlermeldung angezeigt.

Beispiele: Sensorbruch, zulässige Höchsttemperatur überschritten etc.

Im Betriebsfall wird hier „Kein Fehler - Kein Wartungsbedarf“ ausgegeben.

7.4 Messwerte

Linienreiber – Hier wird der Messwertverlauf mit einer konstanten Abtastrate in einem definierten Zeitraster (180 Sekunden) und einer variablen Temperaturachse in Form eines Linienreiber dargestellt.

Die Anzeige dient rein zur Funktionsprüfung und zur Information.

Ein Export der Daten ist nicht möglich.

7.5 Mehrere Geräte identisch konfigurieren

- Erstes Gerät
 1. "Konfiguration laden"
 2. [optional] Schreibschutz aufheben (Schlosssymbol unten rechts)
 3. Ändern der gewünschten Parameter
 4. "In das Gerät speichern"
 5. [optional] Schreibschutz aktivieren
- Alle folgenden Geräte
 1. "Gerätedaten laden"
 2. [optional] Schreibschutz aufheben
 3. [optional] Ändern der gewünschten Parameter, z. B. TAG-Nummer
 4. "In das Gerät speichern"
 5. [optional] Schreibschutz aktivieren



Für weitere Informationen siehe Kontaktdaten Kapitel 1 „Allgemeines“ oder Rückseite der Betriebsanleitung

8. Störungen



GEFAHR!

Lebensgefahr durch Explosion

Durch Arbeiten in entzündlichen Atmosphären besteht Explosionsgefahr, die zum Tod führen kann.

- ▶ Störungen nur in nicht-entzündlichen Atmosphären beseitigen!



VORSICHT!

Körperverletzungen, Sach- und Umweltschäden

Können Störungen mit Hilfe der aufgeführten Maßnahmen nicht beseitigt werden, Gerät unverzüglich außer Betrieb setzen.

- ▶ Sicherstellen, dass kein Signal mehr anliegt und gegen versehentliche Inbetriebnahme schützen.
- ▶ Kontakt mit dem Hersteller aufnehmen.
- ▶ Bei notwendiger Rücksendung die Hinweise unter Kapitel 10.1 „Rücksendung“ beachten und dem Temperaturtransmitter eine kurze Fehlerbeschreibung, Angaben zu Umgebungsbedingungen sowie Einsatzdauer bis zum Auftreten des Fehlers beifügen.

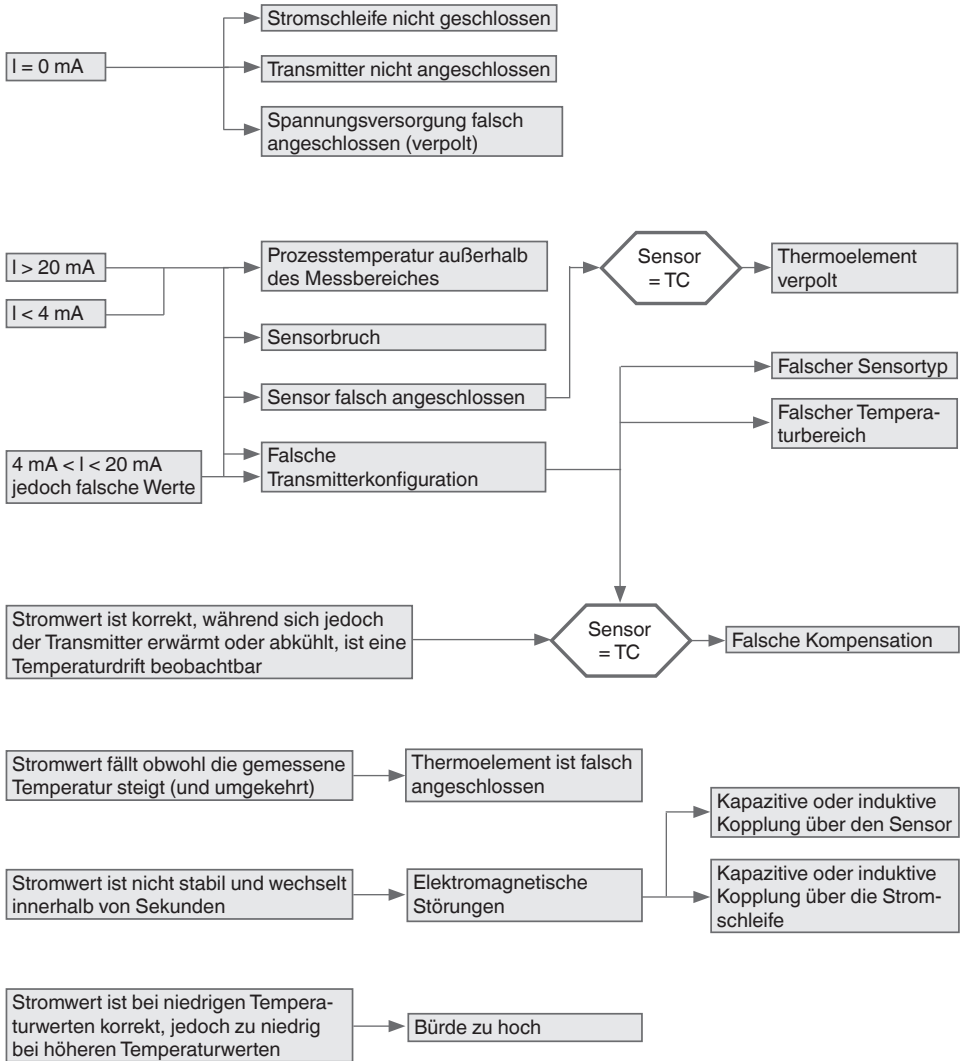


Kontaktinformationen siehe Kapitel 1 „Allgemeines“ oder Rückseite der Betriebsanleitung.

8. Störungen

Fehlerbaum

DE



9. Wartung



Kontakt Daten siehe Kapitel 1 „Allgemeines“ oder Rückseite der Betriebsanleitung.

Der hier beschriebene Temperaturtransmitter ist wartungsfrei. Die Elektronik ist vollständig vergossen und enthält keinerlei Bauteile, welche repariert oder ausgetauscht werden könnten.

Reparaturen sind ausschließlich vom Hersteller durchzuführen. Nur Originalteile verwenden.

DE

10. Rücksendung und Entsorgung

10.1 Rücksendung

Beim Versand des Gerätes unbedingt beachten:

Alle an WIKA gelieferten Geräte müssen frei von Gefahrstoffen (Säuren, Laugen, Lösungen, etc.) sein und sind daher vor der Rücksendung zu reinigen. Zur Rücksendung des Gerätes die Originalverpackung oder eine geeignete Transportverpackung verwenden.

Um Schäden zu vermeiden:

1. Das Gerät mit dem Dämmmaterial in der Verpackung platzieren.
Zu allen Seiten der Transportverpackung gleichmäßig dämmen.
2. Wenn möglich einen Beutel mit Trocknungsmittel der Verpackung beifügen.
3. Sendung als Transport eines hochempfindlichen Messgerätes kennzeichnen.



Hinweise zur Rücksendung befinden sich in der Rubrik „Service“ auf unserer lokalen Internetseite.

10.2 Entsorgung

Durch falsche Entsorgung können Gefahren für die Umwelt entstehen. Gerätekomponenten und Verpackungsmaterialien entsprechend den landesspezifischen Abfallbehandlungs- und Entsorgungsvorschriften umweltgerecht entsorgen.



Nicht mit dem Hausmüll entsorgen. Für eine geordnete Entsorgung gemäß nationaler Vorgaben sorgen.

11. Technische Daten



GEFAHR!

Lebensgefahr durch Verlust des Explosionsschutzes

Das Nichtbeachten der Angaben für den Einsatz in explosionsgefährdeten Bereichen führt zum Verlust des Explosionsschutzes.

- ▶ Nachfolgende Grenzwerte und technische Angaben einhalten.

DE

Technische Daten	Typ T16
Zulässiger Umgebungstemperaturbereich	{-50} -40 ... +85 {+105} °C [{-58} -40 ... +185 {+221} °F]
Klimaklasse nach IEC 654-1:1993	Cx (-40 ... +85 °C / -40 ... +185 °F, 5 ... 95 % r. F.)
Maximal zulässige Feuchte	
■ Typ T16.H nach IEC 60068-2-38:2009	Prüfung max. Temperaturwechsel 65 °C [149 °F] / -10 °C [14 °F], 93 % ±3 % r. F.
■ Typ T16.R nach IEC 60068-2-30:2005	Prüfung max. Temperatur 55 °C [131 °F], 95 % r. F.
Vibrationsbeständigkeit nach IEC 60068-2-6:2008	Prüfung Fc: 10 ... 2.000 Hz; 10 g, Amplitude 0,75 mm [0,03 in]
Schockfestigkeit nach IEC 68-2-27:2009	Beschleunigung / Schockbreite Typ T16.H: 100g / 6 ms Typ T16.R: 30g / 11 ms
Salznebel nach IEC 68-2-52:1996, IEC 60068-2-52:1996	Schärfegrad 1
Betauung	Typ T16.H: Zulässig Typ T16.R: Zulässig in senkrechter Einbaulage
Freifall in Anlehnung an IEC 60721-3-2:1997, DIN EN 60721-3-2:1998	Fallhöhe 1,5 m [4,9 ft]
Elektromagnetische Verträglichkeit (EMV) nach DIN EN 55011:2010, DIN EN 61326, NAMUR NE21:2012, GL 2012 VI Teil 7	EN 61326 Emission (Gruppe 1, Klasse B) und Störfestigkeit (industrieller Bereich) [HF Feld, HF Leitung, ESD, Burst, Surge]

{ } Angaben in geschweiften Klammern beschreiben gegen Mehrpreis lieferbare Sonderheiten, nicht für ATEX-Versionen der Kopfversion und nicht für Schienenversion T16.R.

11. Technische Daten

11.1 Sicherheitstechnische Kennwerte Typen T16.x-AI, T16.x-AC

Eigensichere Anschlusswerte für die Stromschleife (4 ... 20 mA)

Schutzniveau Ex ia IIC/IIB/IIA, Ex ia IIIC oder Ex ic IIC/IIB/IIA

Kenngrößen	Typen T16.x-AI, T16.x-AC	Typ T16.x-AI
	Gas-Ex-Anwendung	Staub-Ex-Anwendung
Klemmen	+ / -	+ / -
Spannung U_i	DC 30 V	DC 30 V
Stromstärke I_i	130 mA	130 mA
Leistung P_i	800 mW	750/650/550 mW
Innere wirksame Kapazität C_i	7,8 nF	7,8 nF
Innere wirksame Induktivität L_i	20 μ H	20 μ H

DE

Sensorstromkreis

Kenngrößen		Typ T16.x-AI	Typ T16.x-AC
		Ex ia IIC/IIB/IIA Ex ia IIIC	Ex ic IIC/IIB/IIA
Klemmen		1 - 2	1 - 2
Spannung U_o		DC 6,6 V	DC 6,6 V
Stromstärke I_o		4 mA	4 mA
Leistung P_o		10 mW	10 mW
Max. externe Kapazität C_o	IIC	21 μ F ¹⁾	280 μ F ¹⁾
	IIB IIIC	495 μ F ¹⁾	995 μ F ¹⁾
	IIA	995 μ F ¹⁾	995 μ F ¹⁾
Max. externe Induktivität L_o	IIC	95 mH	95 mH
	IIB IIIC	95 mH	95 mH
	IIA	95 mH	95 mH
Kenndaten		Linear	

Anmerkungen:

U_o : Maximale Spannung eines beliebigen Leiters gegen die übrigen drei Leiter

I_o : Maximale Ausgangsstrom für die ungünstigste Verbindung der internen Strombegrenzungswiderstände

P_o : $U_o \times I_o$ geteilt durch 4 (Lineare Charakteristik)

1) Internes L und C ist bereits berücksichtigt

Aufgrund der in den angewendeten Normen vorgeschriebenen Trennabstände ist der IS-Versorgungs- und Signalstromkreis sowie der IS-Sensorstromkreis als galvanisch miteinander verbunden anzusehen.

Die elektrischen Kenngrößen der Kopf- und Schienenversion sind identisch.

11. Technische Daten

Typ T16.x-AI

Der eigensichere Sensorstromkreis (optional 2-Leiter-, 3-Leiter- oder 4-Leiter-Konfiguration) beider Ausführungen ist zur Versorgung von Betriebsmitteln in Bereichen mit 1G- oder 1D-Anforderungen bestimmt.

Die Version T16.H-AI ist für den Einbau in Gehäuse oder Anschlussköpfe in Bereichen mit 1G-, 2G- oder 1D-, 2D-Anforderungen ausgelegt.

DE

Die Version T16.R-AI ist für den Einbau in ein Gehäuse bestimmt, das mindestens die Schutzart IP20 (2G-Anwendung oder Errichtung außerhalb des Ex-Bereiches) bzw. IP6x (2D-Anwendung) gewährleistet.

Umgebungstemperaturbereich

Anwendung	Umgebungstemperaturbereich	Temperaturklasse	Leistung P_i
Gruppe II	$-40\text{ °C } [-40\text{ °F}] \leq T_a \leq +85\text{ °C } [+185\text{ °F}]$	T4	800 mW
	$-40\text{ °C } [-40\text{ °F}] \leq T_a \leq +70\text{ °C } [+158\text{ °F}]$	T5	800 mW
	$-40\text{ °C } [-40\text{ °F}] \leq T_a \leq +55\text{ °C } [+131\text{ °F}]$	T6	800 mW
Gruppe IIIC	$-40\text{ °C } [-40\text{ °F}] \leq T_a \leq +40\text{ °C } [+104\text{ °F}]$	N / A	750 mW
	$-40\text{ °C } [-40\text{ °F}] \leq T_a \leq +70\text{ °C } [+158\text{ °F}]$	N / A	650 mW
	$-40\text{ °C } [-40\text{ °F}] \leq T_a \leq +85\text{ °C } [+185\text{ °F}]$	N / A	550 mW

N / A = nicht anwendbar

11.2 Sicherheitstechnische Kennwerte Typ T16.x-AE

Versorgungs- und Signalstromkreis (4 ... 20 mA-Schleife)

Schutzniveau Ex ec IIC/IIB/IIA

Kenngrößen	Typ T16.x-AE
	Gas-Ex-Anwendung
Klemmen	+ / -
Spannung U_i	DC 35 V
Strom I_i	21,5 mA

Sensorstromkreis

Schutzniveau Ex ec IIC/IIB/IIA

Kenngrößen	Typ T16.x-AE
Klemmen	1 - 2
Leistung P_o	2,575 V x 0,1 mA → 0,256 mW DC 2,575 V 0,1 mA

Umgebungstemperaturbereich

Anwendung	Umgebungstemperaturbereich	Temperaturklasse
Gruppe II	$-40\text{ °C } [-40\text{ °F}] \leq T_a \leq +85\text{ °C } [+185\text{ °F}]$	T4
	$-40\text{ °C } [-40\text{ °F}] \leq T_a \leq +70\text{ °C } [+158\text{ °F}]$	T5
	$-40\text{ °C } [-40\text{ °F}] \leq T_a \leq +55\text{ °C } [+131\text{ °F}]$	T6

N / A = nicht anwendbar

DE

11.3 Versionierung nach NAMUR NE53

Firmware-Version	Bemerkungen	WIKAssoft-TT	Modem
V 1.0.0	Erste „Launch“-Version des T16	v 1.5	PU-448 (S.Nr. >10000) oder PU-548

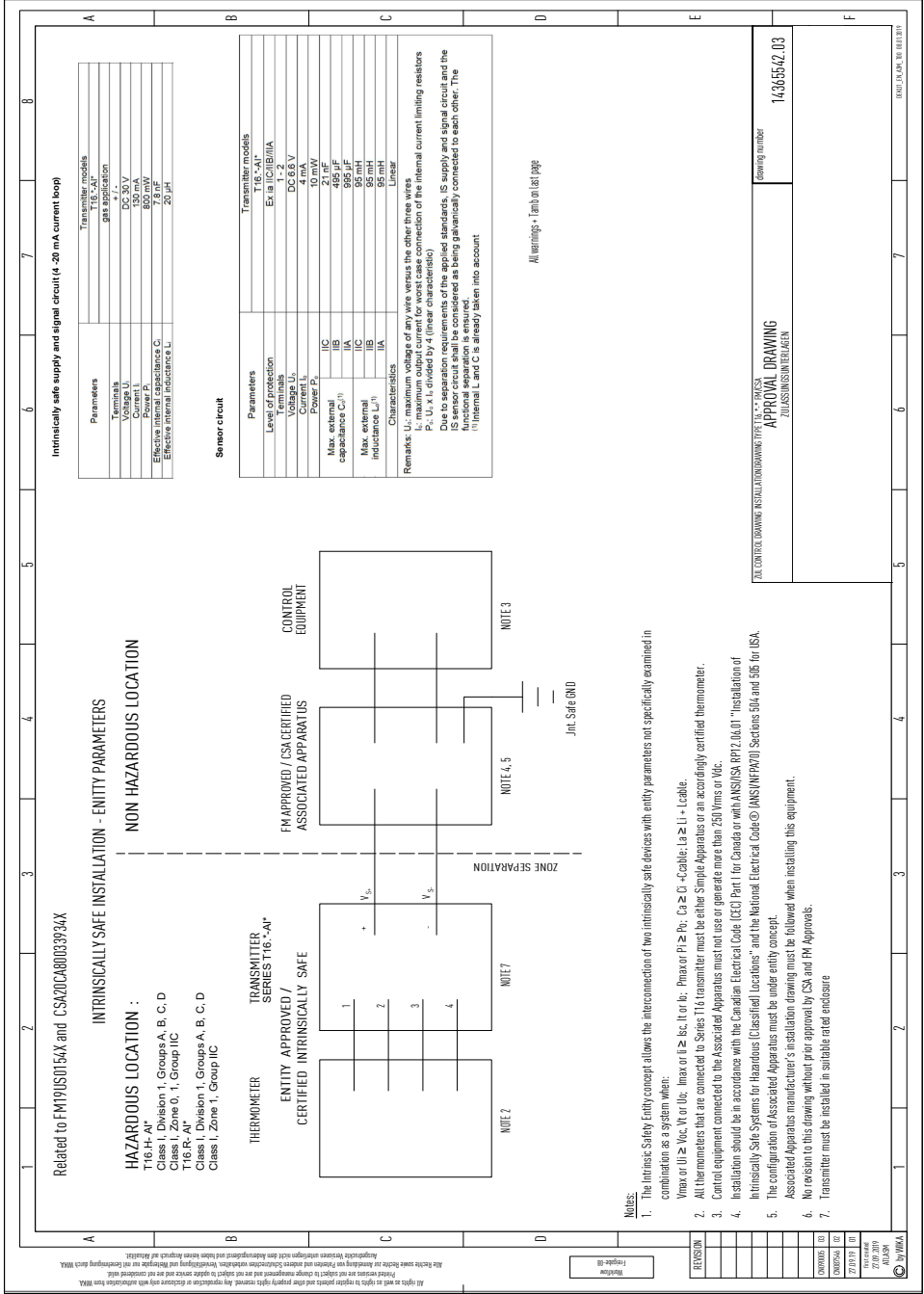
Weitere technische Daten siehe WIKA-Datenblatt TE 16.01 und Bestellunterlagen.

12. Zubehör

Typ	Besonderheiten	Bestell-Nr.
Programmiereinheit Typ PU-548 	<ul style="list-style-type: none"> ■ Einfache Bedienung ■ LED-Statusanzeige ■ Kompakte Bauform ■ Keine zusätzliche Spannungsversorgung notwendig, weder für die Programmiereinheit noch für den Transmitter ■ Keine Treiberinstallation notwendig (Windows® Standardtreiber werden genutzt) ■ 2 mm-Bananenstecker ■ Inkl. 1 magnetischer Schnellkontakt Typ magWIK (ersetzt Programmiereinheit Typ PU-448) 	14231581
Magnetischer Schnellkontakt magWIK 	<ul style="list-style-type: none"> ■ Ersatz für Fliegenbein- und HART®-Klemmen ■ Schnelle, sichere und feste Kontaktierung ■ Für alle Konfigurations- und Kalibrierprozesse ■ 2 mm-Buchsen ■ Inkl. 2 Adapter (2 mm auf 4 mm Buchse) 	14026893
Adapter 	<ul style="list-style-type: none"> ■ Passend zu TS 35 nach DIN EN 60715 (DIN EN 50022) bzw. TS 32 nach DIN EN 50035 ■ Werkstoff: Kunststoff / CrNi-Stahl ■ Abmessungen: 60 x 20 x 41,6 mm [2,3 x 0,7 x 1,6 in] 	3593789
Adapter 	<ul style="list-style-type: none"> ■ Passend zu TS 35 nach DIN EN 60715 (DIN EN 50022) ■ Werkstoff: Stahl verzinkt ■ Abmessungen: 49 x 8 x 14 mm [1,9 x 0,3 x 0,5 in] 	3619851

14147933.07.02/2024 EN/DE

Annex 1: Control drawing CSA/FM



Intrinsically safe supply and signal circuit (4-20 mA current loop)

Parameters	Transmitter models T16, -A ¹ gas application
Terminals	DC 30 V
Voltage U _i	120 V mA
Current I _i	7.8 mA
Effective internal capacitance C _i	7.8 nF
Effective internal inductance L _i	26 µH

Sensor circuit

Parameters	Transmitter models IC, -B (IIA)
Level of protection	Ex ia IIB T4
Terminals	DC 6.6 V
Voltage U _i	10 mV
Current I _i	21 µF
Power P _i	495 µF
Max. external capacitance C _e ⁽¹⁾	95 mH
Max. external inductance L _e ⁽¹⁾	95 mH
Max. external inductance L _e ⁽¹⁾	95 mH
Characteristics	IIA

Remarks: U_i: maximum voltage of any wire versus the other three wires
 P_i, L_i, L_e: divided by 4 (linear characteristic)
 Due to separation requirements of the applied standards, IS supply and signal circuit and the associated apparatus must be electrically separated as being galvanically connected to each other. The functional separation is ensured.
⁽¹⁾ Internal L_e and C_e is already taken into account

Warnings: Refer to last page

APPROVAL DRAWING
 JUL CONTROL DRAWING INSTALLATION DRAWING TYPE 16...P/CSA
 PHILIPUSINS/ITER/LAGEN

Drawing number
1436455/2.03

- NOTES:**
- The Intrinsic Safety Entity concept allows the interconnection of two intrinsically safe devices with entity parameters not specifically examined in combination as a system when:
 Vmax or II ≥ Voc, V or Iloc, Imax or PI ≥ Pcc, Ca ≥ Cc, -Cable: La ≥ Li + Lcable.
 - All thermometers that are connected to Series T16's transmitter must be either Simple Apparatus or an accordingly certified thermometer.
 - Control equipment connected to the Associated Apparatus must not use or generate more than 750 Vrms or Voc.
 - Installation should be in accordance with the Canadian Electrical Code (CEC) Part I for Canada or with ANSI/ISA RPT2.0-01 "Installation of Intrinsically Safe Systems for Hazardous (Classified) Locations" and the National Electrical Code © (ANSI/NFPA 70) Sections 514 and 515 for USA.
 - The configuration of Associated Apparatus must be under entity concept.
 - Associated Apparatus manufacturer's installation drawing must be followed when installing this equipment.
 - No revision to this drawing without prior approval by CSA and FM Approvals.
 - Transmitter must be installed in suitable rated enclosure

REVISION	DATE	BY

Model No. 7107519 / 03
 WIKAX

800 343 626 66 143333

14147933.07.02/2024 EN/DE

A
B
C
D
E
F

1
2
3
4
5
6
7
8

A
B
C
D
E
F

Related to FM19IS015CX and CSA/CCAB003934X

NON INCENDIVE FIELD WIRING - NEW PARAMETERS

non-incendive field wiring as identified below.

HAZARDOUS LOCATION :
 Class 1, Division 2, Groups A, B, C, D
 Class I, Division 2, Group A, B, C, D
 Class I, Zone 2, Group IC

HAZARDOUS LOCATION :
 Class 1, Division 2, Groups A, B, C, D
 Class I, Division 2, Group A, B, C, D
 Class I, Zone 2, Group IC

TRANSMITTER SERIES T16 "-AI", T16 "-AC"
 ENTITY APPROVED / CERTIFIED NONINCENDIVE FIELD WIRING

THERMOMETER

Supply and signal circuit (4-20 mA current loop)

Parameters	Transmitter models T16 "-AI", T16 "-AC"
Terminals	gas application + / -
Voltage U _i	DC 36 V
Current I _i	130 mA
Power P _i	4.68 W
Effective inductance L _e	90 mH
Effective internal inductance L _i	20 µH

CONTROL EQUIPMENT

NOTE 2

1. Non-incendive field wiring enables interconnection of non-incendive field wiring apparatus with associated non-incendive field wiring apparatus or associated intrinsically safe apparatus not specifically examined in combination as a system under one of the following conditions:
 a) Current Controlled
 Normal operating current controlled or limited by the non-incendive field wiring apparatus (unlike the requirements for intrinsically safe apparatus: $I_{max} \leq I_0$ of the non-incendive field wiring apparatus need not be greater than the I_{sc}, I_o or I_o of the associated non-incendive field wiring apparatus)
 - V_{max} or $U_0 \geq V_{oc}$, U_0 or U_0 ; $C_A \geq C_1 + C_{cable}$; $I_A \geq I_1 + I_{cable}$
 b) Not current controlled
 Normal operating voltage or current not controlled or limited by the non-incendive field wiring apparatus
 - V_{max} or $U_0 \geq V_{oc}$, U_0 or U_0 ; I_{max} or $I_0 \geq I_{sc}$, I_0 or I_0 ; $C_A \geq C_1 + C_{cable}$; $I_A \geq I_1 + I_{cable}$
 - V_{max} or $U_0 \geq V_{oc}$, U_0 or U_0 ; I_{max} or $I_0 \geq I_{sc}$, I_0 or I_0 ; $C_A \geq C_1 + C_{cable}$; $I_A \geq I_1 + I_{cable}$
 2. All the components that are connected to Series T16 Transmitter must be either Simple Apparatus or an accordingly certified thermomètre
 3. Control equipment connected to the Associated Apparatus must not use or generate more than 250 Vrms or 1kV.
 4. Installation should be in accordance with the Canadian Electrical Code (CEC) Part 1 for Canada or the National Electrical Code® (ANSI/NFPA70) Sections 516 and 515 for USA.
 5. The configuration of Associated Apparatus must be under entity or non-incendive field wiring concept.
 Associated Apparatus manufacturer's installation drawing must be followed when installing this equipment.
 6. No revision to this drawing without prior approval by CSA and FM Approvals.
 7. Transmitter must be installed in suitable rated enclosure

NOTE 3

NOTE 4, 5

NOTE 7

Remarks: U_i: maximum voltage of any wire versus the other three wires
 I_i: maximum output current for worst case connection of the internal
 P_i: U_i x I_i divided by 4 (linear characteristics)
 Due to separation requirements of the applied standards, IS supply and signal circuit and the IS sensor circuit shall be considered as being galvanically connected to each other. The functional separation is ensured.
 (1) Internal L_i and C_i is already taken into account

All warnings + lamb on last page

APPROVAL DRAWING
ZULASSUNGSZEUGNIS

Drawing number
1436542.03

ALL RIGHTS ARE RESERVED BY WIKA. ANY REPRODUCTION OR TRANSMISSION IN ANY FORM OR BY ANY MEANS, ELECTRONIC OR MECHANICAL, INCLUDING PHOTOCOPYING, RECORDING, OR BY ANY INFORMATION STORAGE AND RETRIEVAL SYSTEM, WITHOUT THE WRITTEN PERMISSION OF WIKA IS STRICTLY PROHIBITED. WIKA UND SEIN ANBIETER ÜBERNEHMEN KEINE VERANTWORTUNG FÜR SCHÄDEN, DIE AUS DER VERWENDUNG DIESER DRUCKSACHE FOLGEN. KEINE VERANTWORTUNG FÜR SCHÄDEN, DIE AUS DER VERWENDUNG DIESER DRUCKSACHE FOLGEN.

WIKAL 2019.07.02.010.0044
 22.09.23 10
 14147933

WIKAL 2019.07.02.010.0044
 22.09.23 10
 14147933

	1	2	3	4	5	6	7	8
<p>GENERAL DIVISION 2 WIRING INSTALLATION – ELECTRICAL RATINGS</p> <p>HAZARDOUS LOCATION : All models series T16.* Class 1, Division 2, Groups A, B, C, D</p> <p>NON HAZARDOUS LOCATION</p> <p>ELECTRICAL RATINGS ALL MODELS SERIES T16.* Loop terminals + and - $V_{max} = DC\ 35\ V$</p>	<p>THERMOMETER</p>		<p>TRANSMITTER All models series T16.*</p>		<p>CONTROL EQUIPMENT</p>			
	1	2	3	4	5	6	7	8
	<p>NOTE 2</p>		<p>NOTE 1</p>		<p>NOTE 3</p>			
	<p>SENSOR MAY BE INSTALLED USING NONINCENDIVE FIELD WIRING</p>		<p>ZONE SEPARATION</p>					
			<p>+</p>					
			<p>-</p>					
			<p>V_{Is}</p>					
			<p>V_{S}</p>					
	<p>Notes:</p> <ol style="list-style-type: none"> 1. Transmitter must be installed in suitable rated enclosure. 2. All thermometers that are connected to Series T16 transmitter must be either Simple Apparatus or an accordingly certified thermometer. 3. Installation should be in accordance with the Canadian Electrical Code (CEC) Part I for Canada or the National Electrical Code® (ANSI/NFPA70) Sections 501 for USA. 4. No revision to this drawing without prior approval by CSA and FM Approvals. 5. When NFPA are not used the Temperature Transmitter shall be installed in a final equipment enclosure using division 2 wiring methods in compliance with the enclosure, mounting and segregation requirements of the ultimate application. 							
REVISIONS								
Model	14366542.03							
Project No	ZULASUNGSINTERLAGEN							
Approved By	APPROVAL DRAWING							
Checked By	ZULASUNGSINTERLAGEN							
Drawn By	14366542.03							
Date								
Scale								
Sheet No	100							
Total Sheets	100							
Date								
Scale								

14147933.07 02/2024 EN/DE

A	B	C	D	E	F														
1	2	3	4	5	6														
7	8	9	10	11	12														
<p>Related to FM1919S0154X and CSA20CA003934X</p> <p>English warning text</p> <p>"WARNING - To prevent ignition of flammable or combustible atmospheres, disconnect power before servicing." (with reference to page 3)</p> <p>"WARNING - To prevent ignition of flammable or combustible atmospheres, disconnect power before servicing, operating & service instructions for safe and proper usage." (with reference to all pages)</p> <p>"WARNING - The enclosure is constructed from plastic. To prevent the risk of electrostatic sparking the plastic surface should only be cleaned with a damp cloth." (with reference to all pages)</p>																			
<p>Specific Conditions of Use:</p> <p>All Models</p> <ol style="list-style-type: none"> The influence of power dissipation of other devices placed beside the transmitter has to be taken into account with regard to temperature rise of the transmitter's ambient temperature. The transmitter shall be mounted in a final enclosure meeting the requirements of ANSULUL 121201 <p>Models T15, "-AC***", T16, "AC***", T15, "-AN***", and T16, "-AN***"</p> <ol style="list-style-type: none"> The transmitter shall be mounted in an enclosure in accordance with ANSULISA 60079-11 suitable for the relevant installation area. The enclosure shall fulfill at least IP 20. Creepage distances, clearances, creepage distances and separations have to be considered according to ANSULISA 60079-11. <p>Models T15, "-AN***", and T16, "-AN***"</p> <ol style="list-style-type: none"> The transmitters shall be mounted in an enclosure fulfilling at least IP 54 in accordance with ANSULUL 60079-0 and ANSULISA 60079-15. During the installation process, creepage distances and separations shall be considered according to ANSULISA 60079-15. The equipment shall only be used in an area of at least pollution degree 2, as defined in ANSULUL 61010-1 resp. IEC 60664-1. Maximum overvoltage category II in accordance with ANSULUL 61010-1 resp. IEC 60664-1 is permitted for the circuits. <p>Models T15, "-AE***", and T16, "-AE***"</p> <ol style="list-style-type: none"> The transmitters shall be mounted in an enclosure fulfilling at least IP 54 in accordance with ANSULUL 60079-0 and ANSULUL 60079-7. During the installation process, creepage distances and separations shall be considered according to ANSULUL 60079-7. The equipment shall only be used in an area of at least pollution degree 2, as defined in ANSULUL 61010-1 resp. IEC 60664-1. Maximum overvoltage category II in accordance with ANSULUL 61010-1 resp. IEC 60664-1 is permitted for the circuits. 																			
<p>French warning text</p> <p>"AVERTISSEMENT : Pour éviter l'ignition des atmosphères inflammables ou combustibles, veuillez lire, avant toute intervention, les instructions de sécurité et les instructions de fonctionnement et le service pour une utilisation sûre et correcte." (avec référence à toutes les pages)</p> <p>"AVERTISSEMENT : Le boîtier est réalisé en matière plastique. Afin de prévenir tout risque d'étincelle électrostatique, la surface en plastique doit uniquement être nettoyée à l'aide d'un chiffon humide." (avec référence à toutes les pages)</p>																			
<p>Ambient temperature range T16, "-AN", T16, "-AC"</p> <table border="1" data-bbox="571 957 660 1308"> <thead> <tr> <th>Application</th> <th>Ambient temperature range</th> <th>Temperature class</th> <th>Power P_n</th> </tr> </thead> <tbody> <tr> <td rowspan="3">Group II</td> <td>-40 °C ≤ T_a ≤ +65 °C</td> <td>T4</td> <td>800 mW</td> </tr> <tr> <td>-40 °C ≤ T_a ≤ +70 °C</td> <td>T5</td> <td>800 mW</td> </tr> <tr> <td>-40 °C ≤ T_a ≤ +55 °C</td> <td>T6</td> <td>800 mW</td> </tr> </tbody> </table> <p>N/A = not applicable</p>						Application	Ambient temperature range	Temperature class	Power P _n	Group II	-40 °C ≤ T _a ≤ +65 °C	T4	800 mW	-40 °C ≤ T _a ≤ +70 °C	T5	800 mW	-40 °C ≤ T _a ≤ +55 °C	T6	800 mW
Application	Ambient temperature range	Temperature class	Power P _n																
Group II	-40 °C ≤ T _a ≤ +65 °C	T4	800 mW																
	-40 °C ≤ T _a ≤ +70 °C	T5	800 mW																
	-40 °C ≤ T _a ≤ +55 °C	T6	800 mW																
<p>Ambient temperature range T16, "-AN", T16, "-AE"</p> <table border="1" data-bbox="761 1037 828 1308"> <thead> <tr> <th>Application</th> <th>Ambient temperature range</th> <th>Temperature class</th> </tr> </thead> <tbody> <tr> <td rowspan="3">Group II</td> <td>-40 °C ≤ T_a ≤ +65 °C</td> <td>T4</td> </tr> <tr> <td>-40 °C ≤ T_a ≤ +70 °C</td> <td>T5</td> </tr> <tr> <td>-40 °C ≤ T_a ≤ +55 °C</td> <td>T6</td> </tr> </tbody> </table>						Application	Ambient temperature range	Temperature class	Group II	-40 °C ≤ T _a ≤ +65 °C	T4	-40 °C ≤ T _a ≤ +70 °C	T5	-40 °C ≤ T _a ≤ +55 °C	T6				
Application	Ambient temperature range	Temperature class																	
Group II	-40 °C ≤ T _a ≤ +65 °C	T4																	
	-40 °C ≤ T _a ≤ +70 °C	T5																	
	-40 °C ≤ T _a ≤ +55 °C	T6																	
<p>Model</p> <p>Fig. No.</p> <p>REVISION</p> <table border="1" data-bbox="795 1037 828 1308"> <thead> <tr> <th>Application</th> <th>Ambient temperature range</th> <th>Temperature class</th> </tr> </thead> <tbody> <tr> <td rowspan="3">Group II</td> <td>-40 °C ≤ T_a ≤ +65 °C</td> <td>T4</td> </tr> <tr> <td>-40 °C ≤ T_a ≤ +70 °C</td> <td>T5</td> </tr> <tr> <td>-40 °C ≤ T_a ≤ +55 °C</td> <td>T6</td> </tr> </tbody> </table>						Application	Ambient temperature range	Temperature class	Group II	-40 °C ≤ T _a ≤ +65 °C	T4	-40 °C ≤ T _a ≤ +70 °C	T5	-40 °C ≤ T _a ≤ +55 °C	T6				
Application	Ambient temperature range	Temperature class																	
Group II	-40 °C ≤ T _a ≤ +65 °C	T4																	
	-40 °C ≤ T _a ≤ +70 °C	T5																	
	-40 °C ≤ T _a ≤ +55 °C	T6																	
<p>APPROVAL DRAWING</p> <p>ZULASSUNGSNÜMNEREN</p> <p>14365642 03</p>																			
<p>9001.00.00.00.00.00</p>																			



EU-Konformitätserklärung EU Declaration of Conformity

Dokument Nr. 14146154
Document No.

Revision 06
Issue

Wir erklären in alleiniger Verantwortung, dass die mit CE gekennzeichneten Produkte
We declare under our sole responsibility that the CE marked products

Typenbezeichnung
Type Designation

T15.*-ZZ*, **T15.*-AI***⁽¹⁾, **T15.*-AC***⁽²⁾, **T15.*-AE***⁽³⁾,
T16.*-ZZ*, **T16.*-AI***⁽¹⁾, **T16.*-AC***⁽²⁾, **T16.*-AE***⁽³⁾

Beschreibung
Description

Digitaler Temperatur Transmitter, Kopf- oder Schienenmontage
Digital temperature transmitter head or rail mounting

gemäß gültigem Datenblatt
according to the valid data sheet

TE 15.01, TE 16.01

mit den nachfolgenden relevanten Harmonisierungsvorschriften der Union
übereinstimmen
are in conformity with the following relevant Union harmonisation legislation

Angewandte harmonisierte Normen:
Applied harmonised standards:

2011/65/EU Gefährliche Stoffe (RoHS)
Hazardous substances (RoHS)

EN IEC 63000:2018

EN 61326-1:2013

EN 61326-2-3:2013

stimmt auch überein mit/also complies with

EN IEC 61326-1:2021

EN IEC 61326-2-3:2021

2014/30/EU Elektromagnetische Verträglichkeit (EMV)
Electromagnetic Compatibility (EMC)

2014/34/EU Explosionsschutz (ATEX)
Explosion protection (ATEX)



II 1G Ex ia IIC T6, T5 T4 Ga
II 2 (1) G Ex ia [ia Ga] IIC T6, T5, T4 Gb
II 1D Ex ia IIIC T135 °C Da
II 2 (1) D Ex ia [ia Da] IIIC T135 °C Db

⁽¹⁾

EN IEC 60079-0:2018

EN 60079-11:2012



II 3 G Ex ic IIC T6, T5, T4 Gc X

⁽²⁾

EN IEC 60079-0:2018

EN 60079-11:2012



II 3 G Ex ec IIC T6, T5, T4 Gc X

⁽³⁾

EN IEC 60079-0:2018

EN IEC 60079-7:2015+A1:2018

(1) EU-Baumusterprüfbescheinigung BVS 19 ATEX E 020 X von DEKRA Testing and Certification GmbH (Reg.-Nr. 0158).
EU type examination certificate BVS 19 ATEX E 020 X of DEKRA Testing and Certification GmbH (Reg. No. 0158).

(2), (3) Modul A, interne Fertigungskontrolle
Module A, internal control of production

Unterszeichnet für und im Namen von / *Signed for and on behalf of*

WIKAI Alexander Wiegand SE & Co. KG

Klingenberg, 2023-11-27

Stefan Heidinger, Vice President
Electrical Temperature Measurement

Roland Stapf, Head of Quality Assurance
Process Instrumentation Corporate Quality

WIKA subsidiaries worldwide can be found online at www.wika.com.
WIKA-Niederlassungen weltweit finden Sie online unter www.wika.de.



WIKA Alexander Wiegand SE & Co. KG
Alexander-Wiegand-Strasse 30
63911 Klingenberg • Germany
Tel. +49 9372 132-0
info@wika.de
www.wika.de